








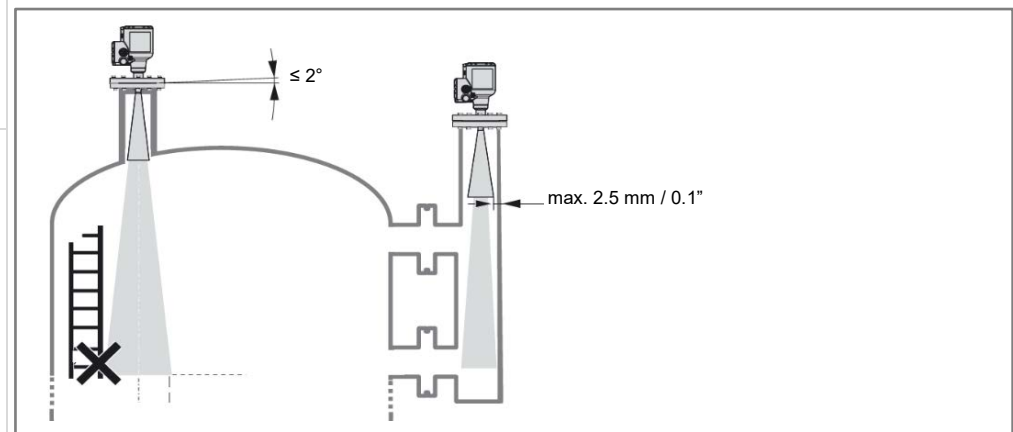
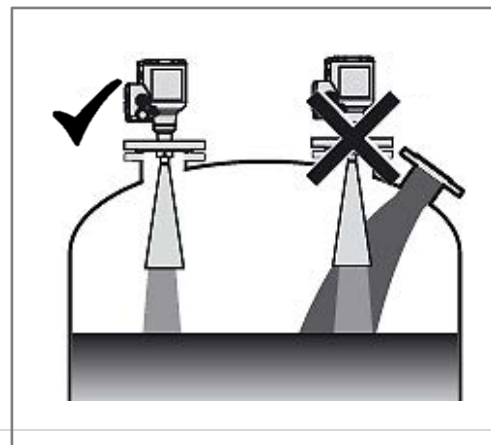
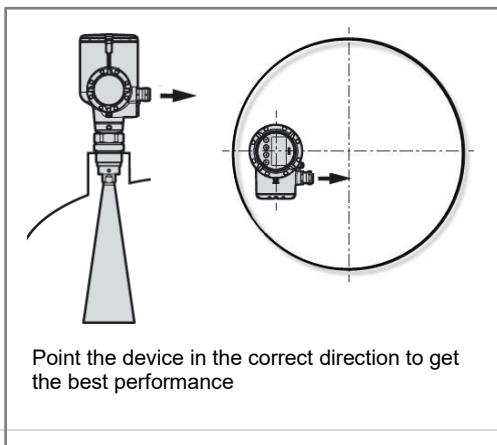
# OPTIWAVE 5400 / 6400 / 7400 / 3500 / 6500 / 7500

## Radar (FMCW) Level Transmitters – FF/PA


-  Installation, assembly, start-up and maintenance may only be performed by appropriately trained personnel. Check the nameplate for correct operating conditions.
-  For use in hazardous areas, special codes and regulations are applicable. Instruments must not be connected to power supply before reading instructions described in the supplementary manual.
-  This instrument complies with requirements of Low Voltage Directive. Instruments must not be connected to power supply before reading instructions described in the manual.
-  The responsibility as to the suitability, intended use and corrosion resistance of the used materials against the measured fluid of this device rests solely with the operator.
-  For devices used in FOUNDATION™ fieldbus applications, additional safety notes apply. For detailed information refer to the dedicated "Supplementary Instructions".
-  For devices used in PROFIBUS PA applications, additional safety notes apply. For detailed information refer to the dedicated "Supplementary Instructions".

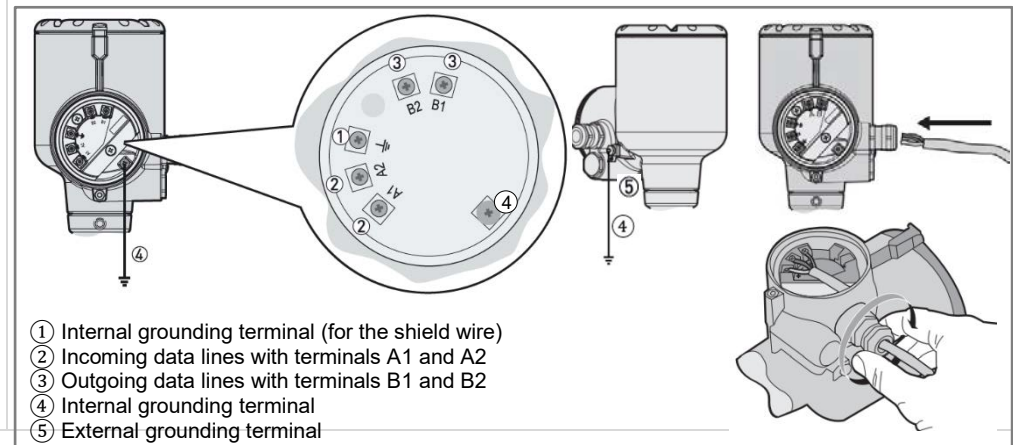
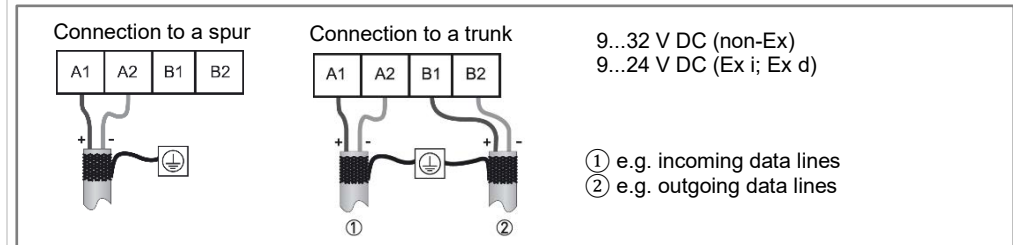
### 1 Installation

-  **Specific conditions of use to be observed:**
- The flameproof joints are not intended to be repaired.
  - Build-up of electrostatic charge on the painted enclosure and external plastic parts shall be avoided by suitable measures.
  - It shall be verified that the maximum surface temperature is acceptable for the intended use.

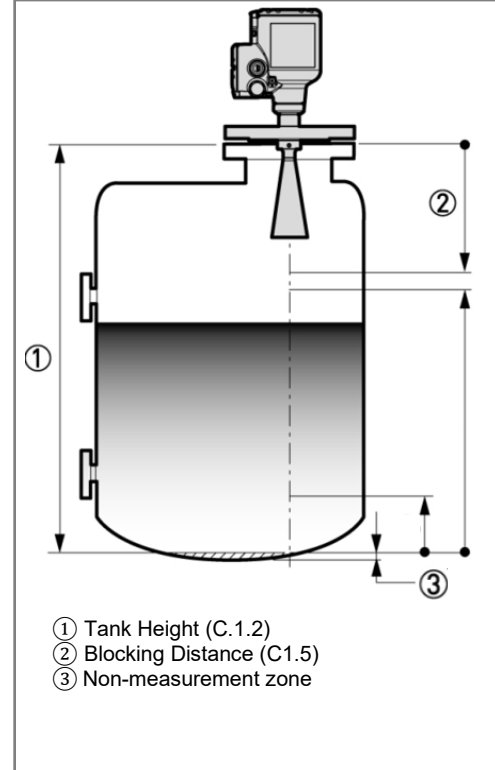
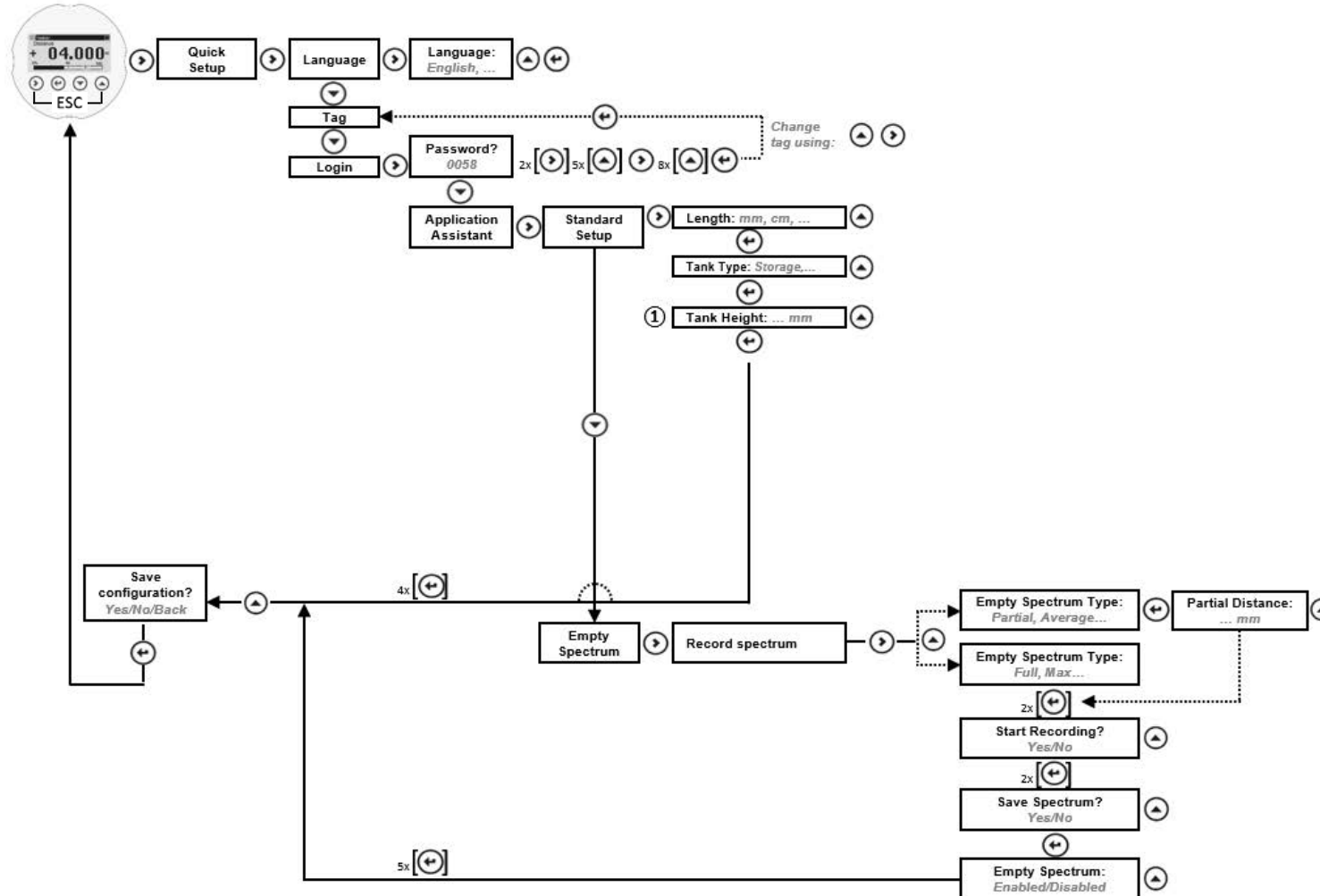
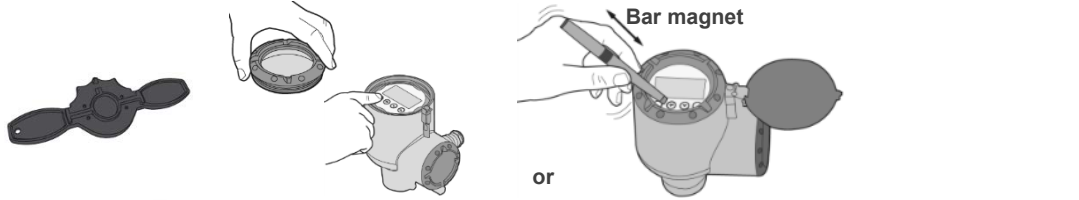


### 2 Electrical connection

 **Danger:**  
All work on the electrical connections may only be carried out with the power disconnected. Take note of the voltage data on the nameplate. Observe the national regulations for electrical installations.



## 3 Auto Setup



- ① Tank Height (C.1.2)
- ② Blocking Distance (C1.5)
- ③ Non-measurement zone

## Contact

To view all KROHNE locations and contact details visit: [www.krohne.com](http://www.krohne.com)

Select your country from the drop-down list at the top.

### Download documents and software

Scan the code on the nameplate or scan the following code and enter the serial number.

