

# Signet 9900 4 to 20 mA Output Module Instruction Sheet



3-9900-398-1.090 Rev. 2 04/20

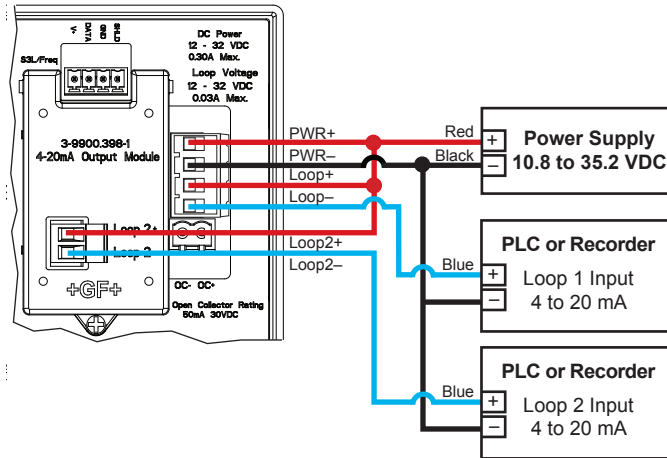
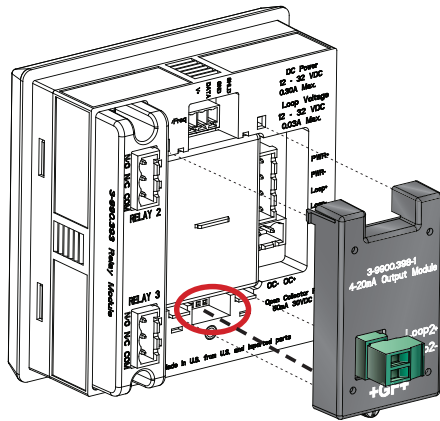
The optional 4 to 20 mA Output Module adds an additional 4 to 20 mA loop output to a Signet 9900 Transmitter.

Requires the 9900 Generation III or later. **NOTE:** Verify 9900 Transmitter generation under the OPTIONS Menu.

3-9900-1P Panel Mount



- [English](#)
- [Deutsch](#)
- [Français](#)
- [Español](#)
- [Italiano](#)
- [Português](#)
- [中文](#)



Mfr. Part No.	Code	Description
3-9900.398-1	159 001 784	4 to 20 mA Output Module
6682-1102	159 001 710	Open Collector Plug, 2 Pos, Right Angle

The 4 to 20 mA Output Module is only compatible with the 9900 Transmitter Generation III or later:

- Panel Mount version 9900-1P (159 001 695)
- Field Mount version 9900-1 (159 001 696)

**NOTE:** The 4 to 20 mA Output, Direct Conductivity, and Batch Modules share the same installation site on the 9900 base unit. Only one of these modules can be used per 9900 Transmitter.

**Features:**

- 4 to 20 mA Output Module can be powered using Loop Power or DC Power in the 9900 base unit.
- Independent settings for the loop currents of the Output Module and 9900 base unit (Error, Loop Adjustments, etc.).
- The Primary or Secondary (if applicable) measurement of a compatible sensor can be selected as the loop source.
- The same source (Primary or Secondary measurement) can be used for Loop 1 in the 9900 base unit and Loop 2 in the Output Module.

For more information, please download the full 9900 Transmitter manual at [www.gfsignet.com](http://www.gfsignet.com)



**CAUTION:** Exercise care when installing module.

Do not bend connecting pins. Align pins and connectors then push module firmly into place, then attach with screw.

**Avoid Electrostatic Discharge (ESD):**

- Minimize handling of module to reduce the possibility of damage due to ESD.
- Handle module by the edges.
- Never touch any exposed circuitry or contacts.
- Wear an anti-static wristband or stand on an anti-static mat, or keep one hand touching a properly grounded pipe or other properly grounded piece of metal when handling module.