

# Technical Information

## Ceraphant PTP33B

Process pressure measurement



Pressure switch for safe measurement and monitoring of absolute and gauge pressure

### Application

The Ceraphant is a pressure switch for the measurement of absolute and gauge pressure in gases, vapors, liquids and dust for applications with hygienic requirements. The Ceraphant can be used internationally thanks to a wide range of approvals and process connections.

### Your benefits










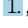


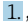

- High reproducibility and long-term stability
- Reference accuracy: up to 0.3%
- Customized measuring ranges
  - Turn down up to 5:1
  - Sensor for measuring ranges up to 40 bar (600 psi)
- Housing and process isolating diaphragm made of 316L
- Fully-welded process connections
- Suitable for CIP/SIP cleaning
- Optionally available with IO-Link

Operation and electrical connection in accordance with VDMA 24574-1:2008

## Table of contents

<b>About this document</b> . . . . .	<b>3</b>	<b>Environment</b> . . . . .	<b>20</b>
Document function . . . . .	3	Ambient temperature range . . . . .	20
Symbols used . . . . .	3	Storage temperature range . . . . .	20
Documentation . . . . .	3	Climate class . . . . .	20
Terms and abbreviations . . . . .	5	Degree of protection . . . . .	20
Turn down calculation . . . . .	5	Vibration resistance . . . . .	20
		Electromagnetic compatibility . . . . .	20
<b>Function and system design</b> . . . . .	<b>6</b>	<b>Process</b> . . . . .	<b>21</b>
Measuring principle - process pressure measurement . . . . .	6	Process temperature range for devices with metallic process membrane . . . . .	21
Measuring system . . . . .	6	Pressure specifications . . . . .	21
Device features . . . . .	6		
Product design . . . . .	8	<b>Mechanical construction</b> . . . . .	<b>22</b>
System integration . . . . .	8	Design, dimensions . . . . .	22
		Electrical connection . . . . .	22
<b>Input</b> . . . . .	<b>9</b>	Housing . . . . .	23
Measured variable . . . . .	9	Process connections with flush mount, metal process membrane . . . . .	24
Measuring range . . . . .	9	Materials in contact with process . . . . .	28
		Materials not in contact with process . . . . .	29
<b>Output</b> . . . . .	<b>10</b>	Cleaning . . . . .	29
Output signal . . . . .	10		
Range of adjustment . . . . .	10	<b>Operability</b> . . . . .	<b>30</b>
Relay switching capacity . . . . .	10	IO-Link . . . . .	30
Signal range 4 to 20 mA . . . . .	10	Operation with local display . . . . .	30
Load (for devices with analog output) . . . . .	10	Device Search (IO-Link) . . . . .	31
Signal on alarm 4 to 20 mA . . . . .	11		
Dead time, time constant . . . . .	11	<b>Certificates and approvals</b> . . . . .	<b>32</b>
Dynamic behavior . . . . .	11	CE mark . . . . .	32
Dynamic behavior of switch output . . . . .	12	RoHS . . . . .	32
Damping . . . . .	12	RCM marking . . . . .	32
		Suitable for hygiene applications . . . . .	32
<b>Energy supply</b> . . . . .	<b>13</b>	Pressure Equipment Directive 2014/68/EU (PED) . . . . .	32
Terminal assignment . . . . .	13	Manufacturer declarations . . . . .	32
Supply voltage . . . . .	14	Other standards and guidelines . . . . .	32
Current consumption and alarm signal . . . . .	14	CRN approval . . . . .	33
Power supply fault . . . . .	14	Calibration unit . . . . .	33
Electrical connection . . . . .	14	Calibration . . . . .	33
Cable specification (analog) . . . . .	15	Inspection certificates . . . . .	34
Residual ripple . . . . .	15	Additional approval . . . . .	34
Influence of power supply . . . . .	15		
Overvoltage protection . . . . .	15	<b>Ordering information</b> . . . . .	<b>34</b>
		Scope of delivery . . . . .	34
<b>Performance characteristics of metallic process membrane</b> . . . . .	<b>16</b>	<b>Accessories</b> . . . . .	<b>35</b>
Reference conditions . . . . .	16	Weld-in adapter . . . . .	35
Uncertainty of measurement for small absolute pressure ranges . . . . .	16	Process adapter M24 . . . . .	35
Influence of orientation . . . . .	16	Flush mount pipe connections M24 . . . . .	35
Resolution . . . . .	16	M12 plug-in jack . . . . .	36
Reference accuracy . . . . .	16		
Thermal change of the zero output and the output span . . . . .	16	<b>Documentation</b> . . . . .	<b>37</b>
Long-term stability . . . . .	16	Field of activities . . . . .	37
Switch-on time . . . . .	16	Technical Information . . . . .	37
<b>Mounting</b> . . . . .	<b>17</b>	<b>Registered trademarks</b> . . . . .	<b>37</b>
Installation conditions . . . . .	17		
Influence of orientation . . . . .	17		
Mounting location . . . . .	17		

## About this document

<b>Document function</b>	The document contains all the technical data on the device and provides an overview of the accessories and other products that can be ordered for the device.
<b>Symbols used</b>	<p><b>Safety symbols</b></p> <p> <b>DANGER</b></p> <p>This symbol alerts you to a dangerous situation. Failure to avoid this situation will result in serious or fatal injury.</p> <p> <b>WARNING</b></p> <p>This symbol alerts you to a dangerous situation. Failure to avoid this situation can result in serious or fatal injury.</p> <p> <b>CAUTION</b></p> <p>This symbol alerts you to a dangerous situation. Failure to avoid this situation can result in minor or medium injury.</p> <p><b>NOTICE</b></p> <p>This symbol contains information on procedures and other facts which do not result in personal injury.</p> <p><b>Electrical symbols</b></p> <p> Protective earth (PE) Ground terminals, which must be grounded prior to establishing any other connections. The ground terminals are located on the inside and outside of the device.</p> <p> Ground connection Grounded clamp, which is grounded via a grounding system.</p> <p><b>Symbols for certain types of information</b></p> <p> Permitted Procedures, processes or actions that are permitted.</p> <p> Forbidden Procedures, processes or actions that are forbidden.</p> <p> Tip Indicates additional information</p> <p> Reference to documentation</p> <p> 1, 2, 3 Series of steps</p> <p>Reference to page: </p> <p>Result of an individual step: </p> <p><b>Symbols in graphics</b></p> <p>A, B, C ... View</p> <p>1, 2, 3 ... Item numbers</p> <p> 1, 2, 3 Series of steps</p>
<b>Documentation</b>	<p>The following document types are available in the Downloads area of the Endress+Hauser website (<a href="http://www.endress.com/downloads">www.endress.com/downloads</a>):</p> <p> For an overview of the scope of the associated Technical Documentation, refer to the following:</p> <ul style="list-style-type: none"> <li>■ <i>Device Viewer</i> (<a href="http://www.endress.com/deviceviewer">www.endress.com/deviceviewer</a>): Enter the serial number from the nameplate</li> <li>■ <i>Endress+Hauser Operations app</i>: Enter serial number from nameplate or scan matrix code on nameplate.</li> </ul>

**Brief Operating Instructions (KA)**

**Guide that takes you quickly to the 1st measured value**

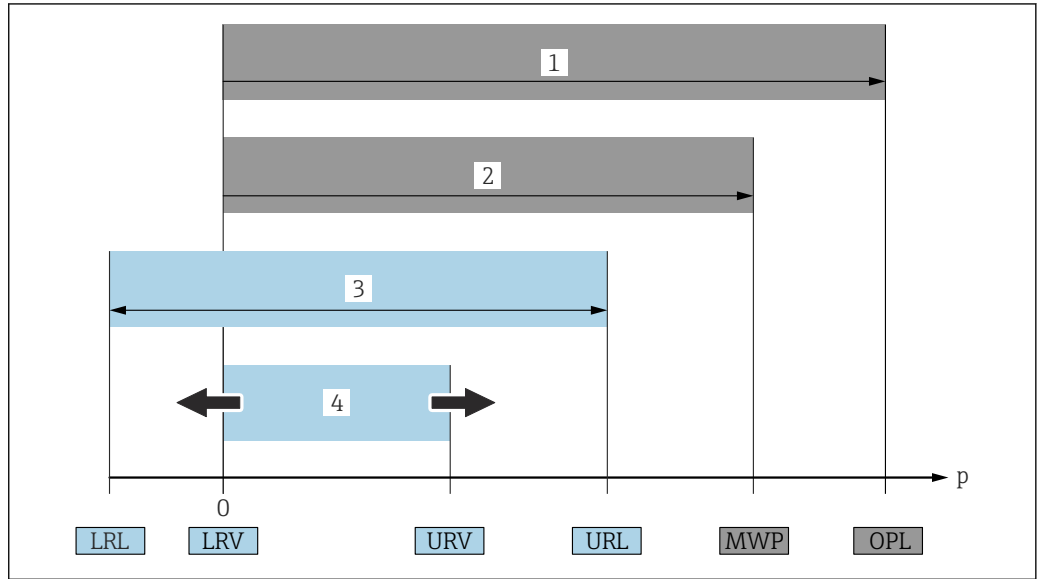
The Brief Operating Instructions contain all the essential information from incoming acceptance to initial commissioning.

**Operating Instructions (BA)**

**Your reference guide**

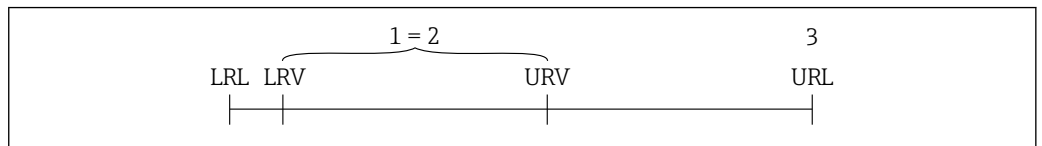
These Operating Instructions contain all the information that is required in various phases of the life cycle of the device: from product identification, incoming acceptance and storage, to mounting, connection, operation and commissioning through to troubleshooting, maintenance and disposal.

Terms and abbreviations



- 1 OPL: The OPL (over pressure limit = sensor overload limit) for the measuring device depends on the lowest-rated element, with regard to pressure, of the selected components, i.e. the process connection has to be taken into consideration in addition to the measuring cell. Observe pressure-temperature dependency. The OPL may only be applied for a short period of time.
  - 2 MWP: The MWP (maximum working pressure) for the sensors depends on the lowest-rated element, with regard to pressure, of the selected components, i.e. the process connection has to be taken into consideration in addition to the measuring cell. Observe pressure-temperature dependency. The maximum working pressure may be applied at the device for an unlimited period. The MWP can be found on the nameplate.
  - 3 The maximum sensor measuring range corresponds to the span between the LRL and URL. This sensor measuring range is equivalent to the maximum calibratable/adjustable span.
  - 4 The calibrated/adjusted span corresponds to the span between the LRV and URV. Factory setting: 0 to URL. Other calibrated spans can be ordered as customized spans.
- p Pressure  
 LRL Lower range limit  
 URL Upper range limit  
 LRV Lower range value  
 URV Upper range value  
 TD Turn down. Example - see the following section.

Turn down calculation



- 1 Calibrated/adjusted span
- 2 Zero point-based span
- 3 Upper range limit

Example:

- Measuring cell: 10 bar (150 psi)
- Upper range limit (URL) = 10 bar (150 psi)
- Calibrated/adjusted span: 0 to 5 bar (0 to 75 psi)
- Lower range value (LRV) = 0 bar (0 psi)
- Upper range value (URV) = 5 bar (75 psi)

$$TD = \frac{URL}{|URV - LRV|}$$

In this example, the TD is 2:1. This span is based on the zero point.

## Function and system design

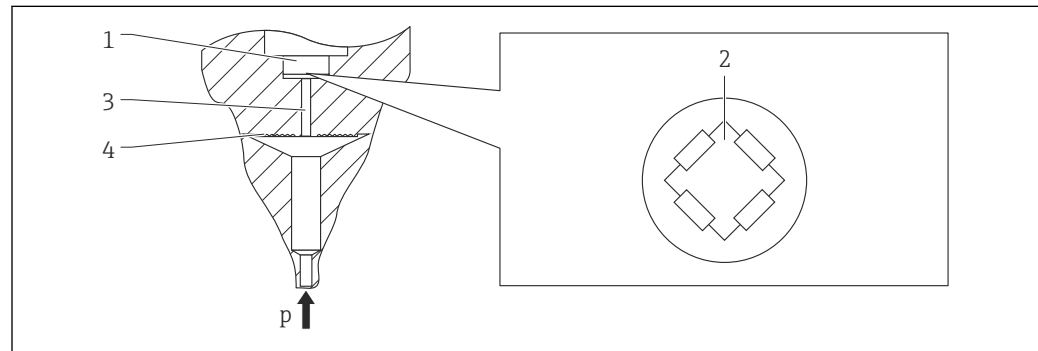
### Measuring principle - process pressure measurement

#### Devices with metallic process isolating diaphragm

The process pressure deflects the metal process isolating diaphragm of the sensor and a fill fluid transfers the pressure to a Wheatstone bridge (semiconductor technology). The pressure-dependent change in the bridge output voltage is measured and evaluated.

#### Advantages:

- Can be used for high process pressures
- Fully welded sensor
- Slim, flush-mounted process connections available

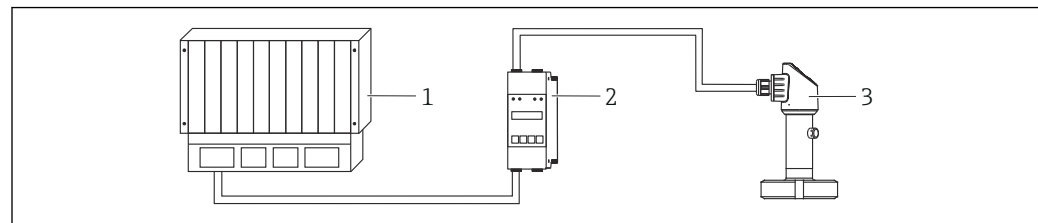


A0016448

- 1 Silicon measuring element, substrate
- 2 Wheatstone bridge
- 3 Channel with fill fluid
- 4 Metal process isolating diaphragm

### Measuring system

A complete measuring system comprises:



A0021924

- 1 PLC (programmable logic controller)
- 2 E.g., RMA42/RIA45 (if required)
- 3 Device

### Device features

#### Field of application

Gauge and absolute pressure and hygienic applications

#### Process connections

- Thread ISO 228
- Thread M24 x 1.5
- SMS
- Varivent
- Clamp/Tri-Clamp
- DIN 11851

#### Measuring ranges

from 0 to +400 mbar (0 to +6 psi) to 0 to +400 bar (0 to +5 800 psi).

#### OPL (depends on the measuring range)

Max. 0 to +160 bar (0 to +2 400 psi)

### **MWP**

Max. 0 to +100 bar (0 to +1 500 psi)

### **Process temperature range (temperature at process connection)**

-10 to +100 °C (+14 to +212 °F)  
(+135 °C (+275 °F) for one hour maximum)

### **Ambient temperature range**

-20 to +70 °C (-4 to +158 °F) (in the range of the temperature limits with restrictions in optical properties, such as display speed and contrast)

### **Reference accuracy**

- Standard: up to 0.5 %
- Platinum: up to 0.3 %

### **Supply voltage**

- Analog: 10 to 30 V<sub>DC</sub>
- IO-Link: 10 to 30 V<sub>DC</sub> on a direct current power unit

IO-Link communication is guaranteed only if the supply voltage is at least 18 V.

### **Output**

Devices with IO-Link:

C/Q output for communication (SIO mode (switch output))

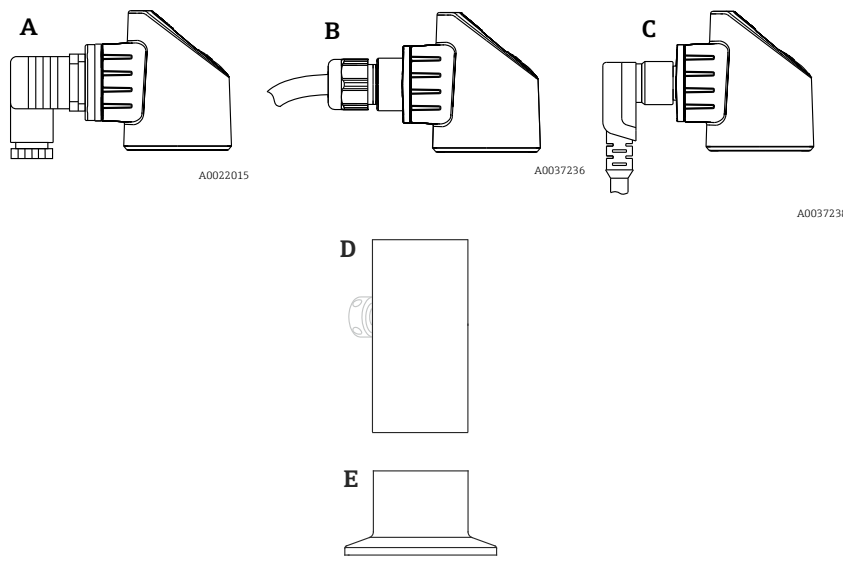
- 1 x PNP switch output (three-wire) (not with IO-Link)
- 2 x PNP switch output (four-wire), IO-Link
- 1 x PNP switch output + 4 to 20 mA output (four-wire), IO-Link

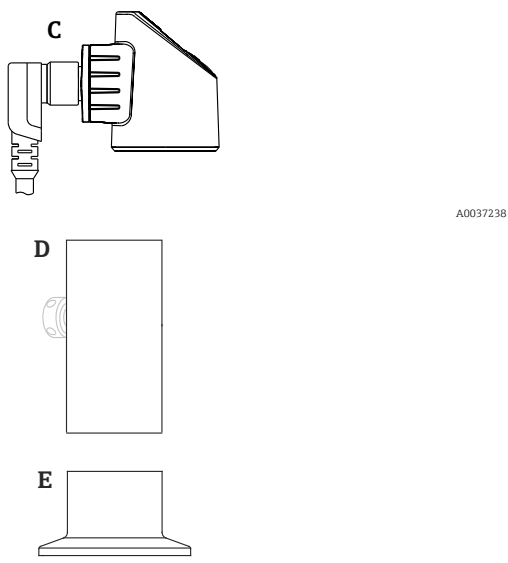
### **Material**

- Housing made of 316L (1.4404)
- Process connections made of 316L (1.4435)
- Process membrane made of 316L (1.4435)

### **Options**

- 3.1 Material certificates
- EHEDG/3A approvals
- Calibration certificate
- Weld-in adapter
- Min. alarm current setting
- IO-Link

Overview of product design for analog communication version		Item	Description
	A	Valve plug	
	B	Cable	
	C	M12 plug Housing cap made of plastic	
	D	Housing	
	E	Process connection (sample illustration)	

Overview of product design for IO-Link communication version		Item	Description
	C	M12 plug Housing cap made of plastic	
	D E	Housing Process connection (sample illustration)	

**System integration**

The device can be given a tag name (max. 32 alphanumeric characters).

Name	Option <sup>1)</sup>
Measuring point (TAG), see additional specifications	Z1

1) Product Configurator, order code for "Marking"

For devices with IO-Link, an IO-DD is available in the Downloads area of the Endress+Hauser website →  30.



## Input

### Measured variable

### Measured process variable

Gauge and absolute pressure and hygienic applications

### Calculated process variable

Pressure

### Measuring range

### Metallic process membrane

#### Devices with gauge pressure measurement

Sensor	Device	Maximum sensor measuring range		Smallest calibratable span <sup>1)</sup>	MWP	OPL	Factory settings <sup>2)</sup>	Option <sup>3)</sup>
		lower (LRL)	upper (URL)					
		[bar (psi)]	[bar (psi)]					
400 mbar (6 psi) <sup>4)</sup>	PTP33B	-0.4 (-6)	+0.4 (+6)	0.4 (6)	1 (15)	1.6 (24)	0 to 400 mbar (0 to 6 psi)	1F
1 bar (15 psi) <sup>4)</sup>	PTP33B	-1 (-15)	+1 (+15)	0.4 (6)	2.7 (40.5)	4 (60)	0 to 1 bar (0 to 15 psi)	1H
2 bar (30 psi) <sup>4)</sup>	PTP33B	-1 (-15)	+2 (+30)	0.4 (6)	6.7 (100.5)	10 (150)	0 to 2 bar (0 to 30 psi)	1K
4 bar (60 psi) <sup>4)</sup>	PTP33B	-1 (-15)	+4 (+60)	0.8 (12)	10.7 (160.5)	16 (240)	0 to 4 bar (0 to 60 psi)	1M
10 bar (150 psi) <sup>4)</sup>	PTP33B	-1 (-15)	+10 (+150)	2 (30)	25 (375)	40 (600)	0 to 10 bar (0 to 150 psi)	1P
40 bar (600 psi) <sup>4)</sup>	PTP33B	-1 (-15)	+40 (+600)	8 (120)	100 (1500)	160 (2400)	0 to 40 bar (0 to 600 psi)	1S

- 1) Highest turn down that can be set at the factory: 5:1. The turn down is preset and cannot be changed.
- 2) Other measuring ranges (e.g. -1 to +5 bar (-15 to 75 psi)) can be ordered with customer-specific settings (see the Product Configurator, order code for "Calibration; Unit" option "U"). It is possible to invert the output signal (LRV = 20 mA; URV = 4 mA). Prerequisite: URV < LRV
- 3) Product Configurator, order code for "Sensor range"
- 4) Vacuum resistance: 0.01 bar (0.145 psi) abs.

#### Devices with absolute pressure measurement

Sensor	Device	Maximum sensor measuring range		Smallest calibratable span <sup>1)</sup>	MWP	OPL	Factory settings <sup>2)</sup>	Option <sup>3)</sup>
		lower (LRL)	upper (URL)					
		[bar (psi)]	[bar (psi)]					
400 mbar (6 psi)	PTP33B	0 (0)	0.4 (+6)	0.4 (6)	1 (15)	1.6 (24)	0 to 400 mbar (0 to 6 psi)	2F
1 bar (15 psi)	PTP33B	0 (0)	1 (+15)	0.4 (6)	2.7 (40.5)	4 (60)	0 to 1 bar (0 to 15 psi)	2H
2 bar (30 psi)	PTP33B	0 (0)	2 (+30)	0.4 (6)	6.7 (100.5)	10 (150)	0 to 2 bar (0 to 30 psi)	2K
4 bar (60 psi)	PTP33B	0 (0)	4 (+60)	0.8 (12)	10.7 (160.5)	16 (240)	0 to 4 bar (0 to 60 psi)	2M
10 bar (150 psi)	PTP33B	0 (0)	10 (+150)	2 (30)	25 (375)	40 (600)	0 to 10 bar (0 to 150 psi)	2P
40 bar (600 psi)	PTP33B	0 (0)	+40 (+600)	8 (120)	100 (1500)	160 (2400)	0 to 40 bar (0 to 600 psi)	2S

- 1) Highest turn down that can be set at the factory: 5:1. The turn down is preset and cannot be changed.
- 2) Other measuring ranges (e.g. -1 to +5 bar (-15 to 75 psi)) can be ordered with customer-specific settings (see the Product Configurator, order code for "Calibration; Unit" option "U"). It is possible to invert the output signal (LRV = 20 mA; URV = 4 mA). Prerequisite: URV < LRV
- 3) Product Configurator, order code for "Sensor range"

Maximum turn down which can be ordered for absolute pressure and gauge pressure sensors

Ranges 0.5%/0.3%: TD 1:1 to TD 5:1

## Output

Output signal	Name	Option <sup>1)</sup>
	PNP switch output + 4 to 20 mA output (4-wire) IO-Link (SSP Ed.2 V1.1)	A
	2 x PNP switch output + 4 to 20 mA output (4-wire) IO-Link (SSP Ed.2 V1.1)	B
	PNP switch output (3-wire)	4
	PNP switch output + 4 to 20 mA output (4-wire), IO-Link	7
	2 x PNP switch output (4-wire), IO-Link	8

1) Product Configurator, order code for "Output"

### Range of adjustment

- Switch output  
Switch point (SP): 0.5 to 100 % in increments of 0.1% (min. 1 mbar \* (0.015 psi)) of the upper range limit (URL) switchback point (RSP): 0 to 99.5% in increments of 0.1% (min. 1 mbar \* (0.015 psi)) of the upper range limit (URL)  
Minimum distance between SP and RSP: 0.5 % URL
  - Analog output (if available)  
Lower range value (LRV) and upper range value (URV) can be set anywhere within the sensor range (LRL - URL). Turn down for analog output up to 5:1 of upper sensor limit (URL).
  - Factory setting (if no customer-specific setting is ordered):  
Switch point SP1: 90 %; switchback point RP1: 10 %;  
Switch point SP2: 95 %; switchback point RP2: 15 %;  
Analog output: LRV 0 %; URV 100 %
- \* For measuring ranges with a negative gauge pressure up to 4 bar (60 psi), the increment when setting the switch point is min. 10 mbar (0.15 psi)

### Relay switching capacity

- Switch state ON:  $I_a \leq 250$  mA; switch state OFF:  $I_a \leq 1$  mA
- Devices with IO-Link: Switch state ON <sup>1)</sup>:  $I_a \leq 200$  mA <sup>2)</sup>; Switch state OFF:  $I_a \leq 100$   $\mu$ A
- Switch cycles: >10,000,000
- Voltage drop PNP:  $\leq 2$  V
- Overload protection: Automatic load testing of switching current;
  - Max. capacitance load: 14  $\mu$ F at max. supply voltage (without resistive load)
  - Devices with IO-Link: Max. capacitance load: 1  $\mu$ F at max. supply voltage (without resistive load)
  - Max. cycle duration: 0.5 s; min.  $t_{on}$ : 4 ms
  - Max. cycle duration: 0.5 s; min.  $t_{on}$ : 40  $\mu$ s
  - Periodic disconnection from protective circuit in the event of overcurrent ( $f = 2$  Hz) and "F804" displayed

### Signal range 4 to 20 mA

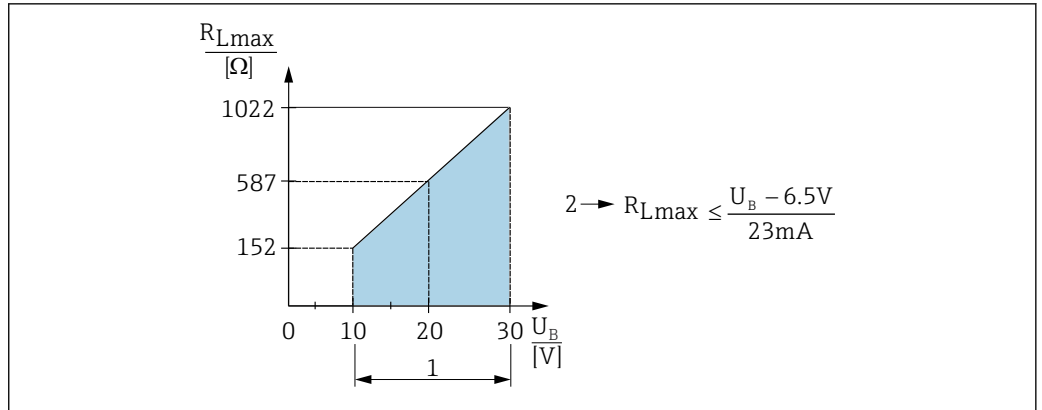
3.8 to 20.5 mA

### Load (for devices with analog output)

In order to guarantee sufficient terminal voltage, a maximum load resistance  $R_L$  (including line resistance) must not be exceeded depending on the supply voltage  $U_B$  of the supply unit.

The maximum load resistance depends on the terminal voltage and is calculated according to the following formula:

- 1) For switch outputs "2 x PNP" and "1 x PNP + 4 to 20 mA output", 100 mA can be guaranteed over the entire temperature range. For lower ambient temperatures, higher currents are possible but cannot be guaranteed. Typical value at 20 °C (68 °F) approx. 200 mA. For switch output "1 x PNP", 200 mA can be guaranteed over the entire temperature range.
- 2) Deviating from the IO-Link standard, larger currents are supported.



A0031107

- 1 Power supply 10 to 30 V DC
- 2  $R_{Lmax}$  maximum load resistance
- $U_B$  Supply voltage

If load is too great:

- failure current is output and "S803" displayed (output: MIN alarm current)
- Periodic checking to establish if it is possible to quit fault state
- In order to guarantee sufficient terminal voltage, a maximum load resistance  $R_L$  (including line resistance) must not be exceeded depending on the supply voltage  $U_B$  of the supply unit.

**Signal on alarm 4 to 20 mA**

The response of the output to error is regulated in accordance with NAMUR NE 43.

The behavior of the current output in the event of errors is defined in the following parameters:

- Alarm Current FCU "MIN": Lower alarm current ( $\leq 3.6$  mA) (optional, see the following table)
- Alarm Current FCU "MAX" (factory setting): Upper alarm current ( $\geq 21$  mA)
- Alarm Current FCU "HLD" (HOLD) (optional, see the following table): Last measured current value is held. When the device starts, the current output is set to "Lower alarm current" ( $\leq 3.6$  mA).

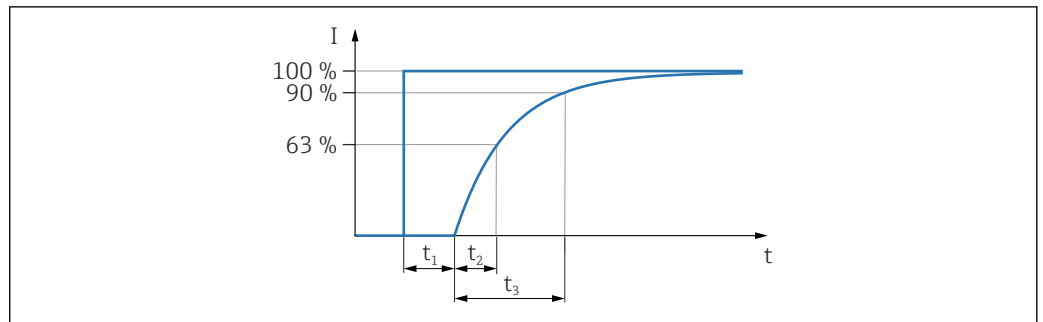
**Alarm current**

Name	Option
Min. alarm current set	IA <sup>1)</sup>
1 low $\leq 3.6$ mA 2 high $\geq 21$ mA 3 last current value	U <sup>2)</sup>

- 1) Product Configurator, order code for "Service"
- 2) Product Configurator order code for "Calibration/unit"

**Dead time, time constant**

Presentation of the dead time and the time constant:



A0019786

**Dynamic behavior**

**Analog electronics**

Dead time ( $t_1$ ) [ms]	Time constant (T63), $t_2$ [ms]	Time constant (T90), $t_3$ [ms]
7 ms	11 ms	16 ms

**Dynamic behavior of switch output**

PNP switch output and 2 x PNP switch output: response time  $\leq 20$  ms

**Damping**

Once the supply voltage has been applied, damping for the first measured value is at 0, i.e. the first measured value present always corresponds to the actual measured value (regardless of damping).

A damping affects all outputs (output signal, display):

- Via local display infinitely variable 0 to 999.9 s
- Factory setting: 2.0 s

## Energy supply

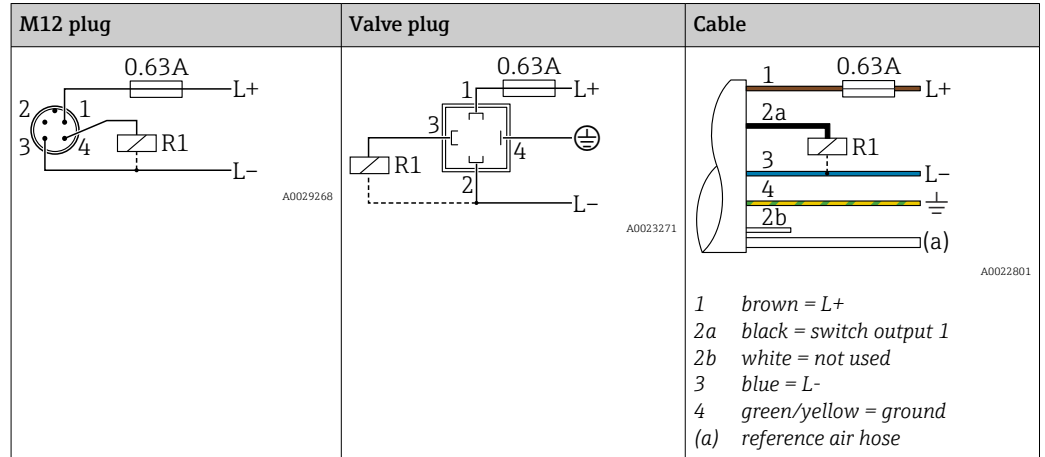
**⚠ WARNING**

An incorrect connection compromises electrical safety!

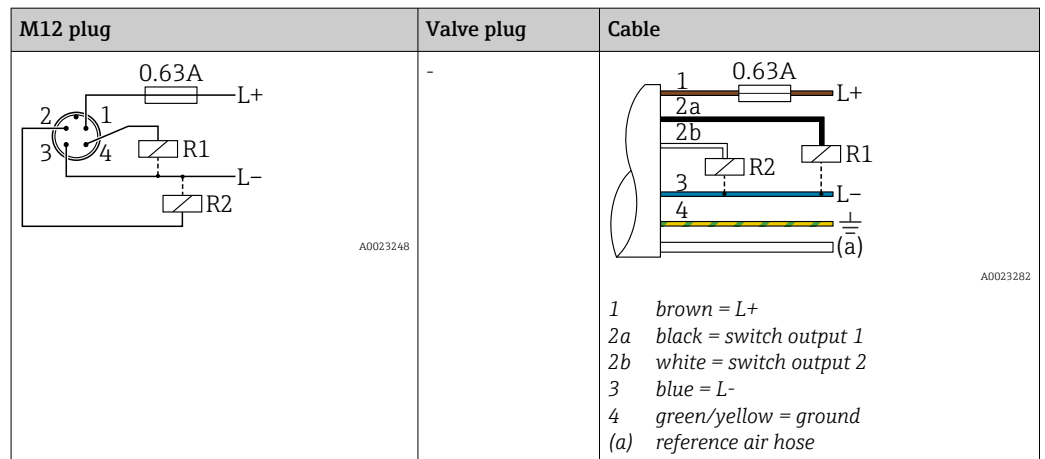
- ▶ A suitable circuit breaker must be provided for the device in accordance with IEC/EN 61010.
- ▶ Protective circuits against reverse polarity, HF influences and overvoltage peaks are installed.
- ▶ The device must be operated with a 630 mA fine-wire fuse (slow-blow).

**Terminal assignment**

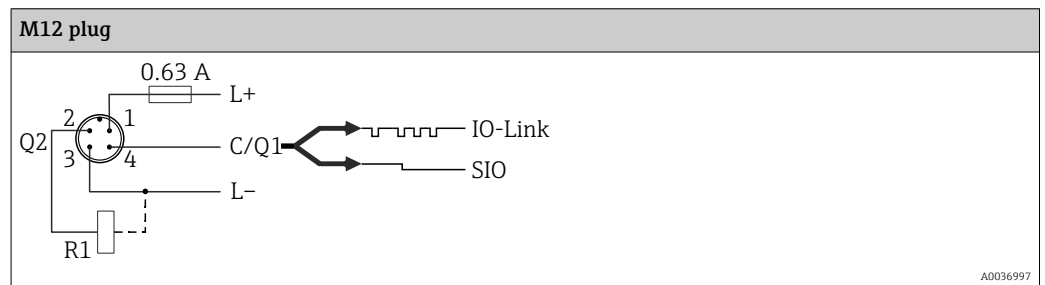
1 x PNP switch output R1 (not with IO-Link functionality)



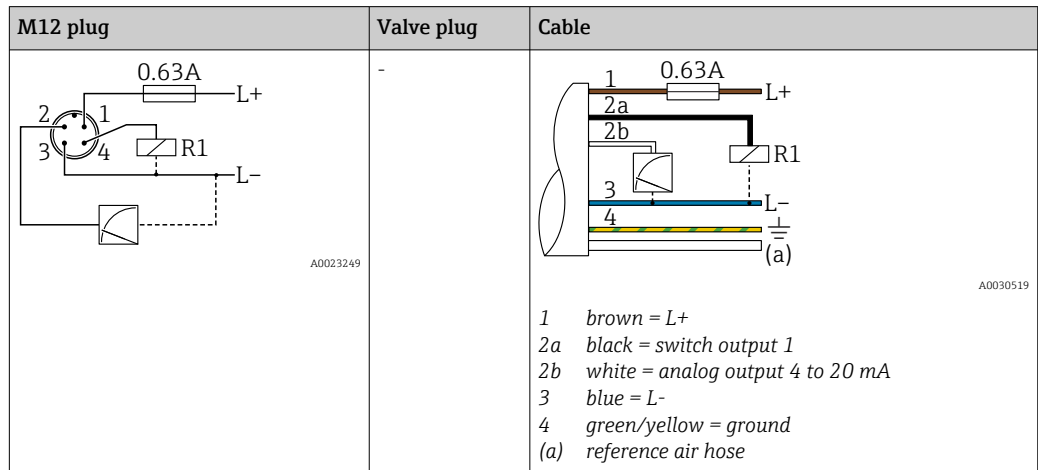
2 x PNP switch output R1 and R2



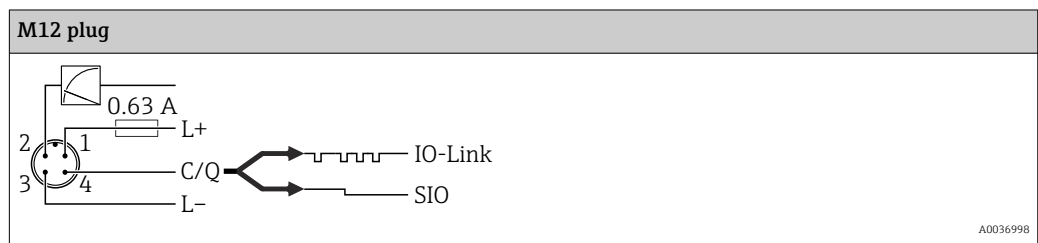
IO-Link: 2 x PNP switch output R1 and R2



1 x PNP switch output R1 with additional analog output 4 to 20 mA (active)



IO-Link: 1 x PNP switch output R1 with additional analog output 4 to 20 mA (active)



**Supply voltage**

Supply voltage: 10 to 30 V DC at a DC power unit  
 Supply voltage IO-Link: 10 to 30 V DC at a DC power unit  
 IO-Link communication is guaranteed only if the supply voltage is at least 18 V.

**Current consumption and alarm signal**

Intrinsic power consumption	Alarm current (for devices with analog output) <sup>1)</sup>
≤ 60 mA	≥21 mA (factory setting)
Devices with IO-Link: Maximum current consumption: ≤ 300 mA	

1) Setting min. alarm current ≤3.6mA can be ordered via the product order structure. Min. alarm current ≤3.6mA can be configured at the device or via IO-Link.

**Power supply fault**

- Behavior in the event of overvoltage (>30 V):  
 The device works continuously up to 34 V DC without damage. If the supply voltage is exceeded, the specified characteristics are no longer guaranteed.
- Behavior in the event of undervoltage:  
 If the supply voltage falls below the minimum value, the device switches off in a defined manner.

**Electrical connection**

**Degree of protection**

Communication version	Connection	Degree of protection	Option <sup>1)</sup>
Analog	Cable 5 m (16 ft)	IP66/67 NEMA Type 4X enclosure	D
	Cable 10 m (33 ft)	IP66/67 NEMA Type 4X enclosure	E
	Cable 25 m (82 ft)	IP66/67 NEMA Type 4X enclosure	F
	Valve plug ISO4400 M16	IP65 NEMA Type 4X enclosure	U

Communication version	Connection	Degree of protection	Option <sup>1)</sup>
	Valve plug ISO4400 NPT ½	IP65 NEMA Type 4X enclosure	V
Analog, IO-Link	M12 plug	IP65/67 NEMA Type 4X enclosure	M

1) Product Configurator, order code for "Electrical connection"

---

<b>Cable specification (analog)</b>	For valve plug: < 1.5 mm <sup>2</sup> (16 AWG) and Ø 4.5 to 10 mm (0.18 to 0.39 in)
<b>Residual ripple</b>	The device operates within the reference accuracy up to ±5 % of the residual ripple of the supply voltage, within the permitted voltage range.
<b>Influence of power supply</b>	≤0.005 % of URV/1 V
<b>Overvoltage protection</b>	The device does not contain any special elements to protect against overvoltage ("wire to ground"). Nevertheless the requirements of the applicable EMC standard EN 61000-4-5 (testing voltage 1kV EMC wire/ground) are met.

## Performance characteristics of metallic process membrane

### Reference conditions

- As per IEC 60770
- Ambient temperature  $T_A$  = constant, in the range of: +21 to +33 °C (+70 to +91 °F)
- Humidity  $\varphi$  = constant, in the range of: 5 to 80 % rH
- Atmospheric pressure  $p_A$  = constant, in the range of: 860 to 1060 mbar (12.47 to 15.37 psi)
- Position of the measuring cell = constant, in the range of: horizontal  $\pm 1^\circ$  (see also "Influence of orientation" section)
- Zero based span
- Process membrane material: AISI 316L (1.4435)
- Filling oil: synthetic oil polyalphaolefin FDA 21 CFR 178.3620, NSF H1
- Supply voltage: 24 V DC  $\pm 3$  V DC
- Load: 320  $\Omega$  (at 4 to 20 mA output)

### Uncertainty of measurement for small absolute pressure ranges

- The smallest extended uncertainty of measurement that can be delivered by our standards is**
- in the range of 1 to 30 mbar (0.0145 to 0.435 psi): 0.4 % of reading
  - in the range of < 1 mbar (0.0145 psi): 1 % of reading.

### Influence of orientation

→  17

### Resolution

Current output: min. 1.6  $\mu$ A

Display: can be set (factory setting: presentation of the maximum accuracy of the transmitter)

### Reference accuracy

The reference accuracy includes the non-linearity [DIN EN 61298-2 3.11] including the pressure hysteresis [DIN EN 61298-23.13] and non-repeatability [DIN EN 61298-2 3.11] in accordance with the limit point method as per [DIN EN 60770].

Device	% of the calibrated span to the maximum turn down		
	Reference accuracy	Non-linearity	Non-repeatability
PTP33B - standard	$\pm 0.5$	$\pm 0.1$	$\pm 0.1$
PTP33B - platinum	$\pm 0.3$	$\pm 0.1$	$\pm 0.1$

Overview of the turn down ranges →  9

### Ordering information

Name	Option <sup>1)</sup>
Platinum (on request)	D
Standard	G

1) Product Configurator, order code for "Reference accuracy"

### Thermal change of the zero output and the output span

Measuring cell	-20 to +85 °C (-4 to +185 °F)	-40 to -20 °C (-40 to -4 °F) +85 to +100 °C (+185 to +212 °F)
	% of the calibrated span for TD 1:1	
<1 bar (15 psi)	<1	<1.2
$\geq 1$ bar (15 psi)	<0.8	<1

### Long-term stability

1 year	5 years	8 years
% of the URL		
$\pm 0.2$	$\pm 0.4$	Under development

### Switch-on time

$\leq 2$  s



The following applies to IO-Link: For small measuring ranges, pay attention to the thermal compensation effects.

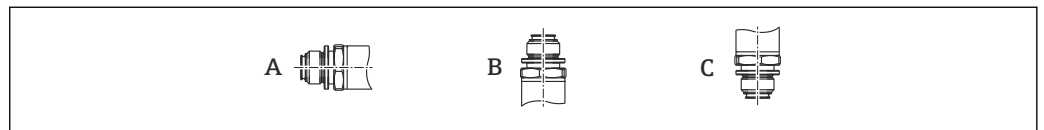
## Mounting

### Installation conditions

- Moisture must not penetrate the housing when mounting the device, establishing the electrical connection and during operation.
- Point the cable and connector downwards where possible to prevent moisture from entering (e.g. rain or condensation water).

### Influence of orientation

Any orientation is possible. However, the orientation may cause a zero point shift, i.e. the measured value does not show zero when the vessel is empty or partially full.



A0024708

### PTP33B

Process membrane axis is horizontal (A)	Process membrane pointing upwards (B)	Process membrane pointing downwards (C)
Calibration position, no effect	Up to +4 mbar (+0.058 psi)	Up to -4 mbar (-0.058 psi)



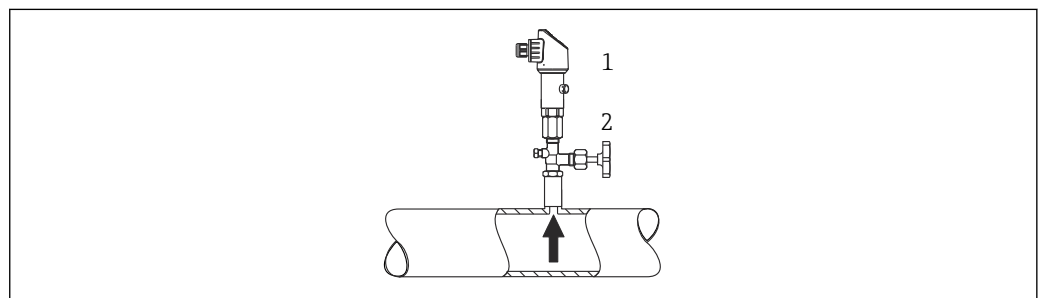
A position-dependent zero point shift can be corrected on the device.

### Mounting location

#### Pressure measurement

##### Pressure measurement in gases

Mount the device with shutoff device above the tapping point so that any condensate can flow into the process.



A0025920

- Device
- Shutoff device

##### Pressure measurement in vapors

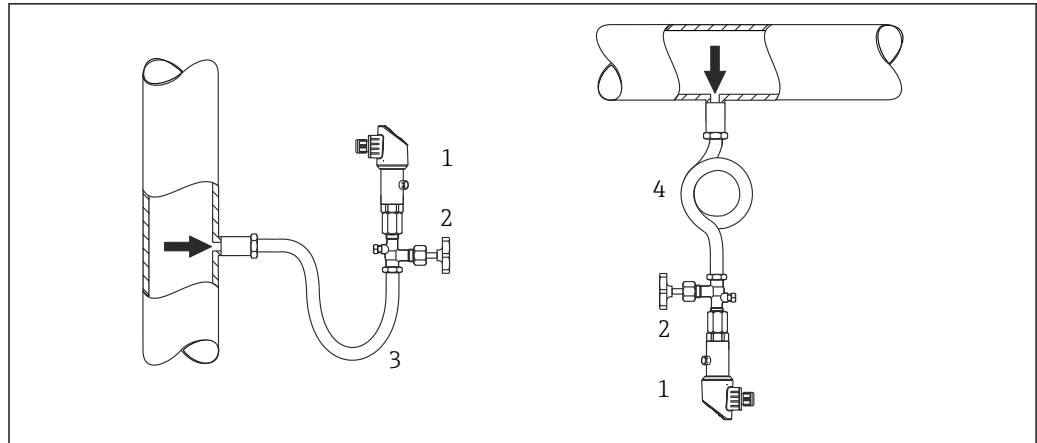
Advantage:

- defined water column causes only minor/negligible measuring errors and
- only minor/negligible heat effects on the device.

Mounting above the tapping point is also permitted.

Note the max. permitted ambient temperature of the transmitter!

Take the influence of the hydrostatic water column into consideration.

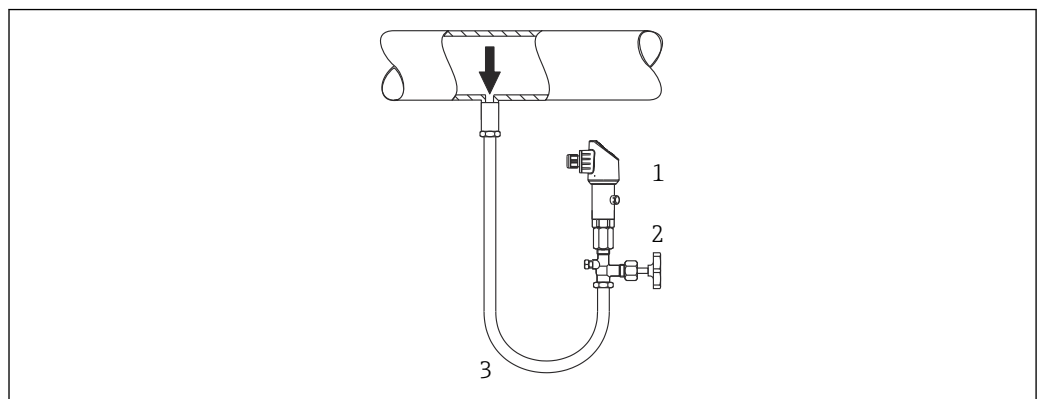


A0025921

- 1 Device
- 2 Shutoff device
- 3 Siphon
- 4 Siphon

#### Pressure measurement in liquids

Mount the device with a shutoff device and siphon below or at the same height as the tapping point. Take the influence of the hydrostatic water column into consideration.

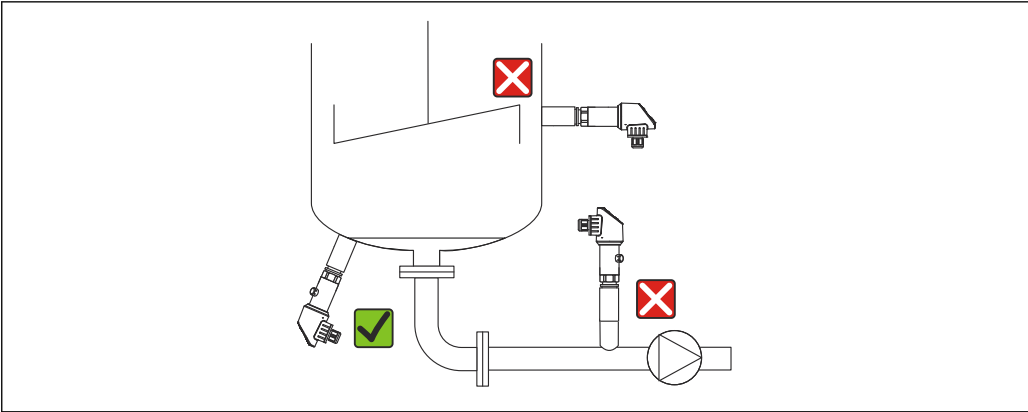


A0025922

- 1 Device
- 2 Shutoff device
- 3 Siphon

#### Level measurement

- Always install the device below the lowest measuring point.
- Do not install the device at the following positions:
  - in the filling curtain
  - in the tank outlet
  - in the suction area of a pump
  - at a point in the tank which could be affected by pressure pulses from the agitator.
- A functional test can be carried out more easily if you mount the device downstream from a shutoff device.



A0025923

## Environment

<b>Ambient temperature range</b>	<b>Ambient temperature range</b> <sup>3)</sup> <ul style="list-style-type: none"> <li>■ -20 to +70 °C (-4 to +158 °F)</li> <li>■ IO-Link: -20 to +70 °C (-4 to +158 °F) (in the range of the temperature limits with restrictions in optical properties, such as display speed and contrast)</li> </ul>
----------------------------------	---

<b>Storage temperature range</b>	-40 to +85 °C (-40 to +185 °F)
----------------------------------	--------------------------------

Climate class	Climate class	Note
	Class 3K5	Air temperature: -5 to +45 °C (+23 to +113 °F), relative humidity: 4 to 95 % satisfied according to IEC 721-3-3 (condensation not possible)

Degree of protection	Communication version	Connection	Degree of protection	Option <sup>1)</sup>
	Analog		Cable 5 m (16 ft)	IP66/67 NEMA Type 4X enclosure
		Cable 10 m (33 ft)	IP66/67 NEMA Type 4X enclosure	E
		Cable 25 m (82 ft)	IP66/67 NEMA Type 4X enclosure	F
		Valve plug ISO4400 M16	IP65 NEMA Type 4X enclosure	U
		Valve plug ISO4400 NPT ½	IP65 NEMA Type 4X enclosure	V
Analog, IO-Link	M12 plug	IP65/67 NEMA Type 4X enclosure	M	

1) Product Configurator, order code for "Electrical connection"

Vibration resistance	Test standard	Vibration resistance
	IEC 60068-2-64:2008	Guaranteed for 5 to 2000Hz: 0.05g <sup>2</sup> /Hz

<b>Electromagnetic compatibility</b>	<ul style="list-style-type: none"> <li>■ Interference emission as per EN 61326-1 equipment B</li> <li>■ Interference immunity as per EN 61326-1 (industrial environment)</li> <li>■ Devices with IO-Link: For intended use, the switch output can switch to the communication mode for 0.2 s in the event of transient faults.</li> <li>■ NAMUR recommendation EMC (NE 21) (not for devices with IO-Link)</li> <li>■ Maximum deviation: 1.5% with TD 1:1</li> </ul>
--------------------------------------	---

For more details, please refer to the Declaration of Conformity.

3) Exception: the following cable is designed for an ambient temperature range of -25 to +70 °C (-13 to +158 °F): Product Configurator, order code for "Accessory enclosed" option "RZ".

## Process

---

### Process temperature range for devices with metallic process membrane

- -10 to +100 °C (+14 to +212 °F)
- SIP cleaning at +135 °C (+275 °F) for a maximum of one hour (device in operation but not within measurement specification)

### Applications with jumps in temperature

Frequent extreme changes in temperatures can temporarily cause measuring errors. Internal temperature compensation occurs more quickly the smaller the change in temperature and the longer the time interval involved.

For further information please contact your local Endress+Hauser Sales Center.

---

### Pressure specifications

#### **WARNING**

**The maximum pressure for the measuring device depends on the lowest-rated element with regard to pressure.**

- ▶ For pressure specifications, see the "Measuring range" section and the "Mechanical construction" section.
- ▶ The Pressure Equipment Directive (2014/68/EU) uses the abbreviation "PS". The abbreviation "PS" corresponds to the MWP (maximum working pressure) of the measuring device.
- ▶ MWP (maximum working pressure): The MWP (maximum working pressure) is specified on the nameplate. This value is based on a reference temperature of +20 °C (+68 °F) and may be applied to the device for an unlimited period of time. Observe the temperature dependency of the MWP.
- ▶ OPL (over pressure limit): The test pressure corresponds to the over pressure limit of the sensor and may only be applied temporarily to ensure that the measurement is within the specifications and no permanent damage develops. In the case of sensor range and process connections where the over pressure limit (OPL) of the process connection is smaller than the nominal value of the sensor, the device is set at the factory, at the very maximum, to the OPL value of the process connection. If you want to use the entire sensor range, select a process connection with a higher OPL value.

## Mechanical construction

**i** For the dimensions, see the Product Configurator: [www.endress.com](http://www.endress.com)

Search for product → click "Configuration" to the right of the product image → after configuration click "CAD"

The following dimensions are rounded values. For this reason, they may deviate slightly from the dimensions given on [www.endress.com](http://www.endress.com).

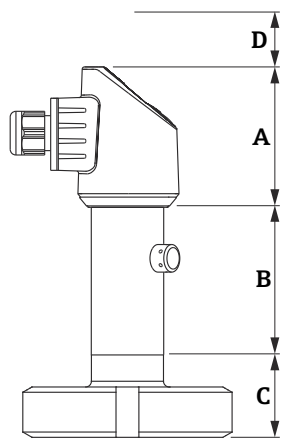
### Design, dimensions

#### Device height

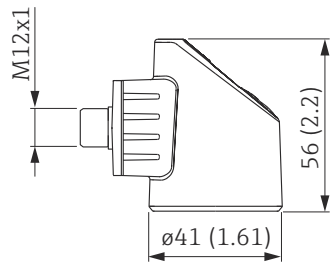
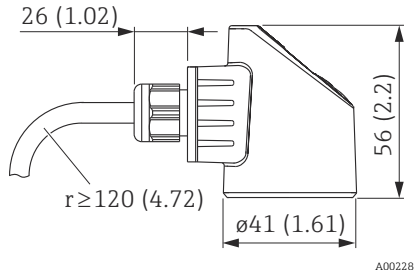
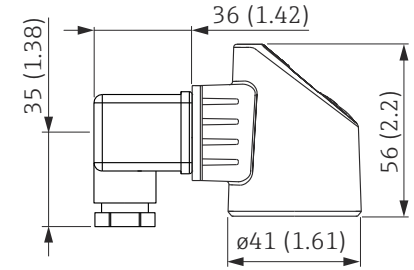
The device height is calculated from

- the height of the electrical connection
- the height of the housing and
- the height of the individual process connection.

The individual heights of the components are listed in the following sections. To calculate the device height simply add up the individual heights of the components. Where applicable also take into consideration the installation distance (space that is used to install the device). You can use the following table for this purpose:

Section	Page	Height	Example
Electrical connection	→ 22	(A)	
Housing height	→ 23	(B)	
Process connection height	→ 24	(C)	
Installation distance	-	(D)	

### Electrical connection

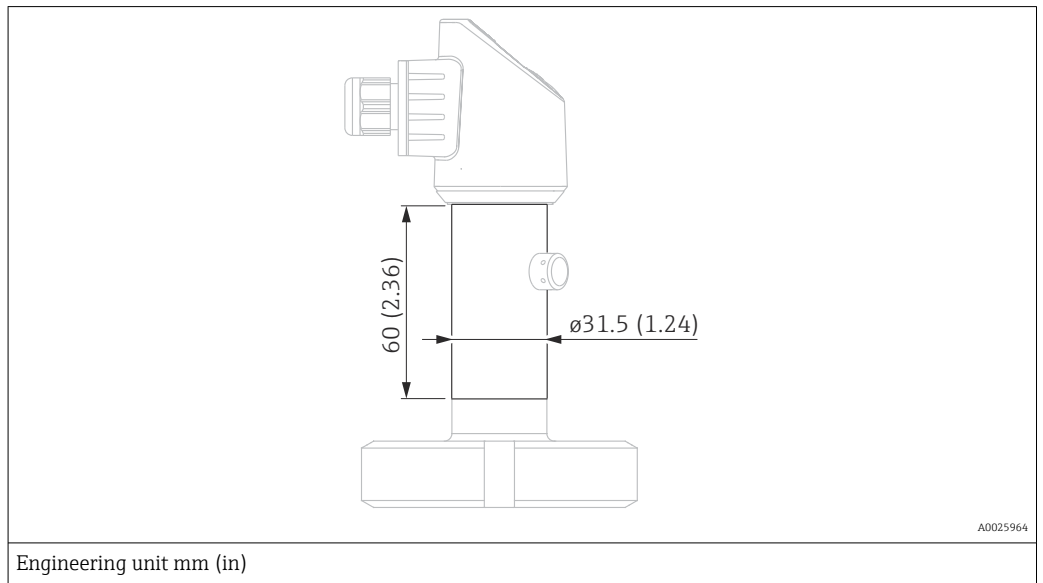
<p><b>A</b></p>  <p style="text-align: right; font-size: small;">A0022840</p>	<p><b>B</b></p>  <p style="text-align: right; font-size: small;">A0022842</p>	<p><b>C</b></p>  <p style="text-align: right; font-size: small;">A0022836</p>
Engineering unit mm (in)		

Item	Designation	Material	Weight kg (lbs)	Option <sup>1)</sup>
A	M12 plug IP65/67 (Additional dimensions → 36)	Housing cap made of plastic	0.012 (0.03)	M Plug connector with cable can be ordered as an accessory → 36
B	Cable 5 m (16 ft)	PUR (UL94V0)	0.280 (0.62)	D
B	Cable 10 m (33 ft)	PUR (UL94V0)	0.570 (1.26)	E
B	Cable 25 m (82 ft)	PUR (UL94V0)	1.400 (3.09)	F

Item	Designation	Material	Weight kg (lbs)	Option <sup>1)</sup>
C	M16 valve plug	Plastic PPSU	0.060 (0.14)	U
C	NPT ½ valve plug	Plastic PPSU	0.060 (0.14)	V

1) Product Configurator, order code for "Electrical connection"

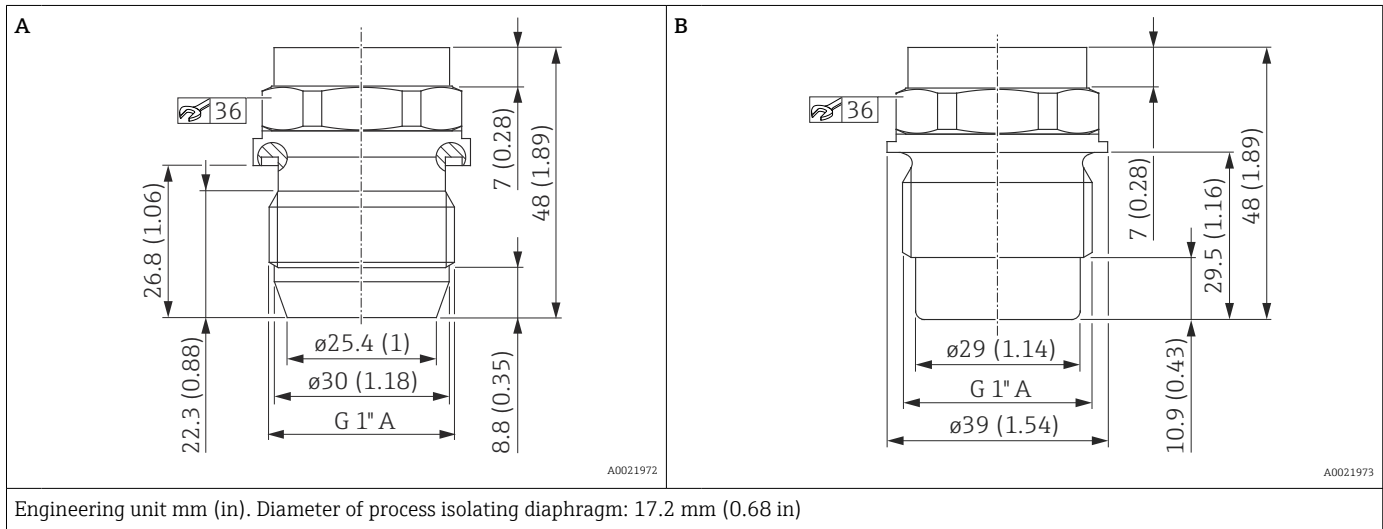
**Housing**



Device	Material	Weight kg (lbs)
PTP33B	Stainless steel 316L	0.100 (0.22)

Process connections with  
flush mount, metal process  
membrane

Thread ISO 228 G



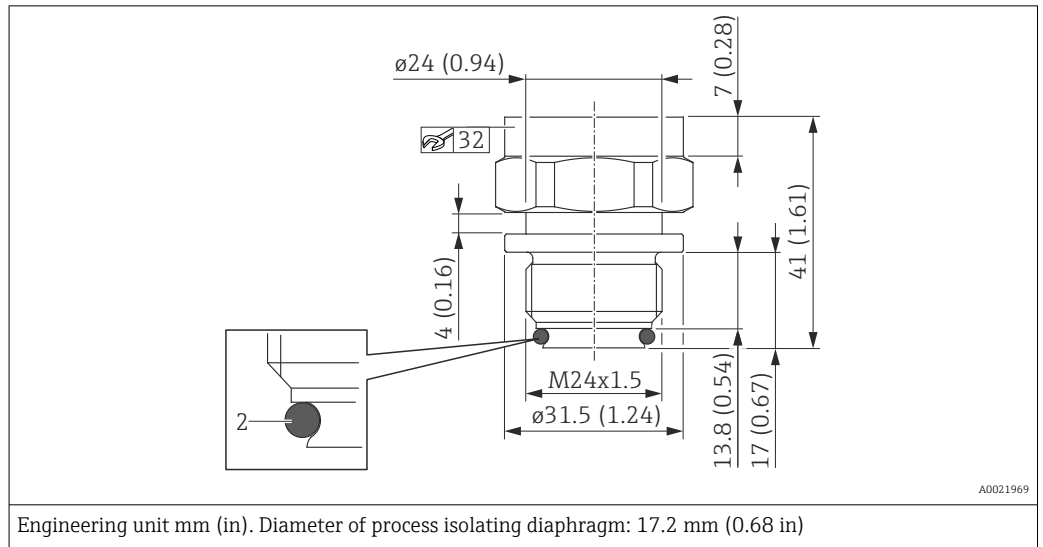
Engineering unit mm (in). Diameter of process isolating diaphragm: 17.2 mm (0.68 in)

Item	Description	Seal	Material	Weight	Approval	Option <sup>1)</sup>
				kg (lbs)		
A	Thread ISO 228 G 1" A	Metal joint	316L	0.270 (0.60)	CRN	WQJ
B	Thread ISO 228 G 1" A	Seal established via O-ring. VMQ O-ring is enclosed with QJ and QK accessories.	316L	0.270 (0.60)	EHEDG, 3A <sup>2)</sup> , CRN	WSJ

1) Product Configurator, order code for "Process connection"  
 2) EHEDG and 3A only in conjunction with weld-in adapter → 35



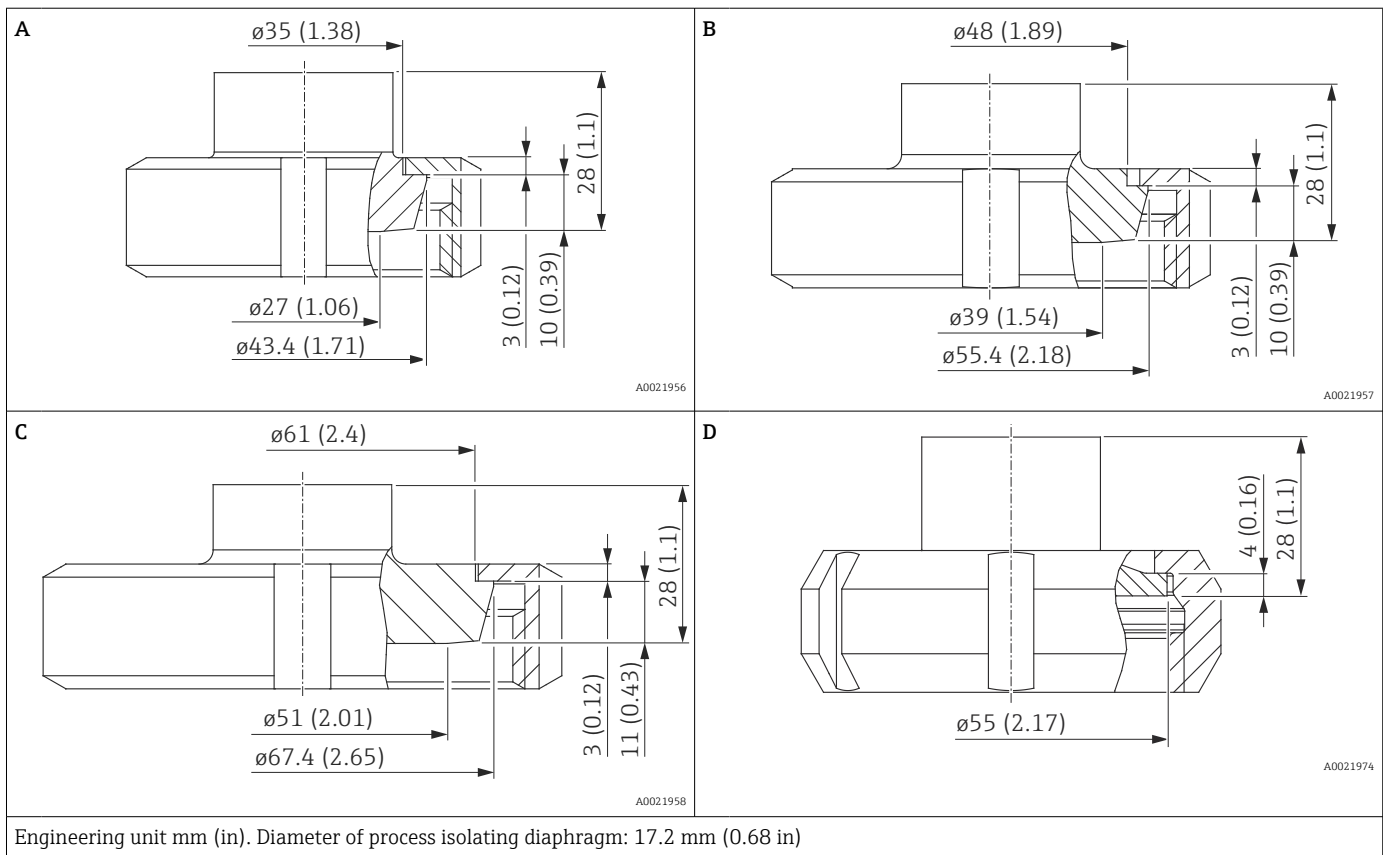
Thread M24 x 1.5



Designation	Seal	Material	Weight	Approval	Option <sup>1)</sup>
			kg (lbs)		
M24 x 1.5 <sup>2)</sup>	EPDM O-ring (2), pre-mounted	316L	0.150 (0.33)	EHEDG, 3A, CRN	X2J
M24 x 1.5 <sup>2)</sup>	FKM O-ring (2), pre-mounted	316L	0.150 (0.33)	EHEDG, 3A, CRN	X3J

- 1) Product Configurator, order code for "Process connection"
- 2) torque 65 Nm (48 lbf ft)

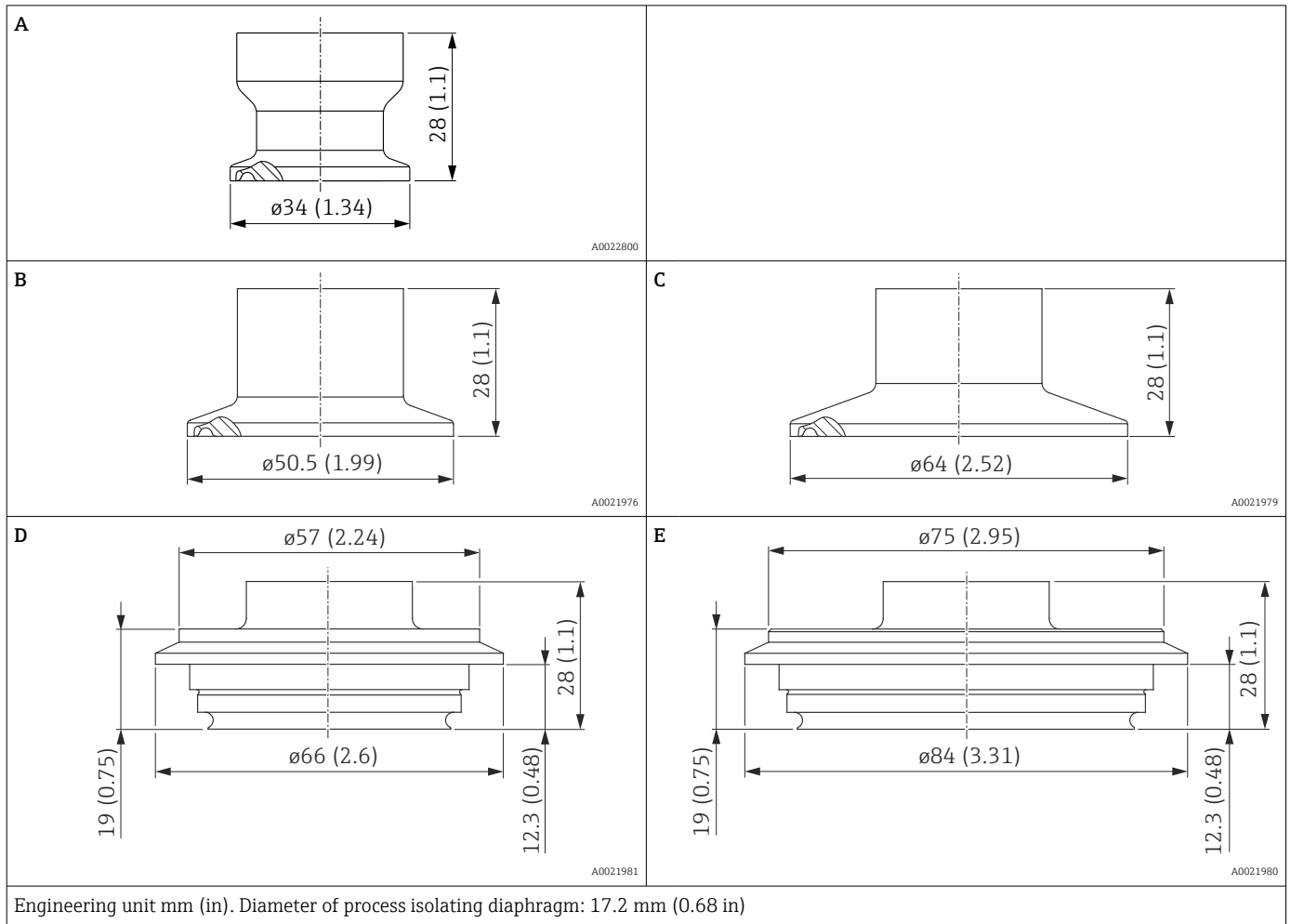
Hygienic connections



Position	Designation	Nominal pressure	Material <sup>1)</sup>	Weight	Approval	Option <sup>2)</sup>
		PN		kg (lbs)		
A	DIN 11851 DN 25	40	316L	0.360 (0.79)	3A, EHEDG, CRN	1GJ
B	DIN 11851 DN 40	40	316L	0.520 (1.15)	3A, EHEDG, CRN	1JJ
C	DIN 11851 DN 50	25	316L	0.760 (1.68)	3A, EHEDG, CRN	1DJ
D	SMS 1 1/2"	25	316L	0.440 (0.97)	3A, CRN	4QJ

1) Roughness of wetted surfaces  $R_a \leq 0.76 \mu\text{m}$  (29.9  $\mu\text{in}$ ).  
 2) Product Configurator, order code for "Process connection"

Hygienic connections



Item	Designation	Approval	Nominal pressure	Material <sup>1)</sup>	Weight	Option <sup>2)</sup>
			PN		kg (lbs)	
A	Clamp ISO 2852 DN22	3A, EHEDG, CRN	40	316L	0.090 (0.20)	3AJ
B	Tri-Clamp ISO 2852 DN 25 – DN 38 (1" - 1 ½"), DIN32676 DN25-38	3A, EHEDG, CRN	40	316L	0.160 (0.35)	3CJ
C	Tri-Clamp ISO 2852 DN 40 – DN 51 (2"), DIN32676 DN50, EHEDG, 3A	3A, EHEDG, CRN	40	316L	0.230 (0.51)	3EJ
D	Varivent F pipe DN25-32	3A, EHEDG, CRN	40	316L	0.350 (0.77)	41J
E	Varivent N pipe DN40-162	3A, EHEDG, CRN	40	316L	0.630 (1.39)	42J

1) Roughness of wetted surfaces Ra ≤ 0.76 µm (29.9 µin).  
 2) Product Configurator, order code for "Process connection"

**Materials in contact with process****NOTICE**

- ▶ Device components in contact with the process are listed in the "Mechanical construction" and "Ordering information" sections.

**TSE Certificate of Suitability**

The following applies to all device components in contact with the process:

- They do not contain any materials derived from animals.
- No additives or operating materials derived from animals are used in production or processing.

**Process connections**

- Endress+Hauser supplies a threaded connection made of stainless steel in accordance with AISI 316L (DIN/ EN material number 1.4404 or 1.4435). With regard to their stability-temperature property, the materials 1.4404 and 1.4435 are grouped together under 13E0 in EN 1092-1: 2001 Tab. 18. The chemical composition of the two materials can be identical.
- "Clamp connections" and "Hygienic process connections": AISI 316L (DIN/EN material number 1.4435)

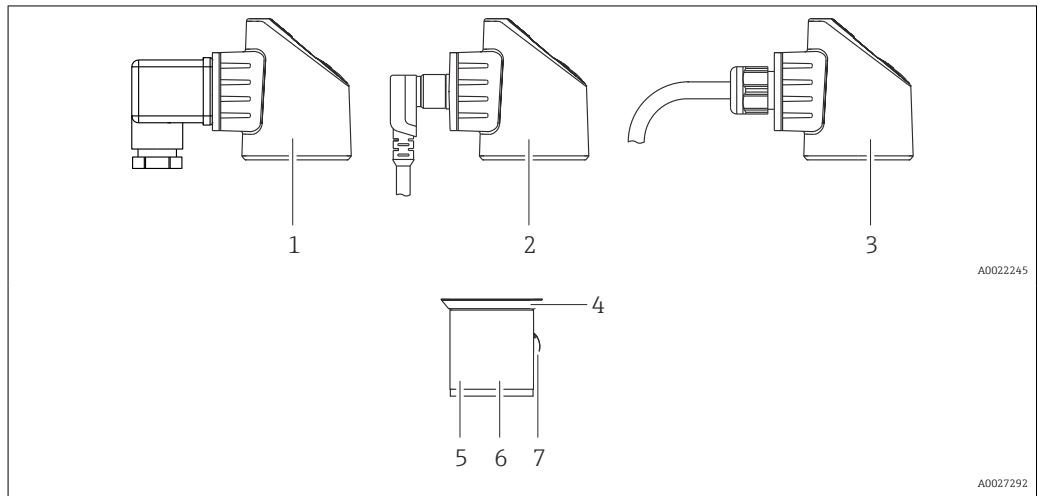
**Process isolating diaphragm**

Description	Material
Metal process isolating diaphragm	AISI 316L (DIN/EN material number 1.4435)

**Seals**

See the specific process connection.

**Materials not in contact with process**     **Housing**



Item number	Component	Material
1	Housing with valve plug connection	<ul style="list-style-type: none"> <li>■ Seal: NBR</li> <li>■ Plug: PA</li> <li>■ Screw: V2A</li> <li>■ Adapter plate: PBT/PC</li> <li>■ Housing: PBT/PC</li> </ul>
2	Housing prepared for M12 plug connection	<ul style="list-style-type: none"> <li>■ Adapter plate: PBT/PC</li> <li>■ For other materials, see the "Accessories" section</li> <li>■ Housing: PBT/PC</li> </ul>
3	Housing with cable connection	<ul style="list-style-type: none"> <li>■ Pressure screw: PVDF</li> <li>■ Seal: TPE-V</li> <li>■ Cable: PUR (UL 94 V0)</li> <li>■ Adapter plate: PBT/PC</li> <li>■ Housing: PBT/PC</li> </ul>
4	Design element	PBT/PC
5	Nameplates	Lasered directly onto the housing
6	Housing	316L (1.4404)
7	Pressure compensation element	316L (1.4404)

**Filling oil**

Device	Filling oil
PTP33B	Synthetic oil polyalphaolefin FDA 21 CFR 178.3620, NSF H1

**Cleaning**

Device	Description	Option <sup>1)</sup>
PTP33B	Cleaned from oil+grease	HA

1) Product Configurator, order code for "Service"

## Operability

### IO-Link

#### Operating concept for devices with IO-Link

*Operator-oriented menu structure for user-specific tasks*

*Reliable operation*

Operation in the following languages:  
Via IO-Link: English

*Efficient diagnostics increase measurement reliability*

- Remedial measures
- Simulation options

#### IO-Link information

IO-Link is a point-to-point connection for communication between the measuring device and an IO-Link master. The measuring device features an IO-Link communication interface type 2 with a second IO function on pin 4. This requires an IO-Link-compatible assembly (IO-Link master) for operation. The IO-Link communication interface enables direct access to the process and diagnostic data. It also provides the option of configuring the measuring device while in operation.

Physical layer, the measuring device supports the following features:

- IO-Link specification: Version 1.1
- IO-Link Smart Sensor Profile 2nd Edition
- SIO mode: Yes
- Speed: COM2; 38.4 kBaud
- Minimum cycle time: 2.5 msec.
- Process data width:
  - Without Smart Sensor Profile: 32 bit
  - With Smart Sensor Profile: 48 bit (float32 + 14-bit vendor spec. + 2 bits SSC)
- IO-Link data storage: Yes
- Block configuration: Yes

#### IO-Link download

<http://www.endress.com/download>

- Select "Software" as the media type.
- Select "Device Driver" as the software type.  
Select IO-Link (IODD).
- In the "Text Search" field enter the device name.

<https://ioddfinder.io-link.com/>

Search by

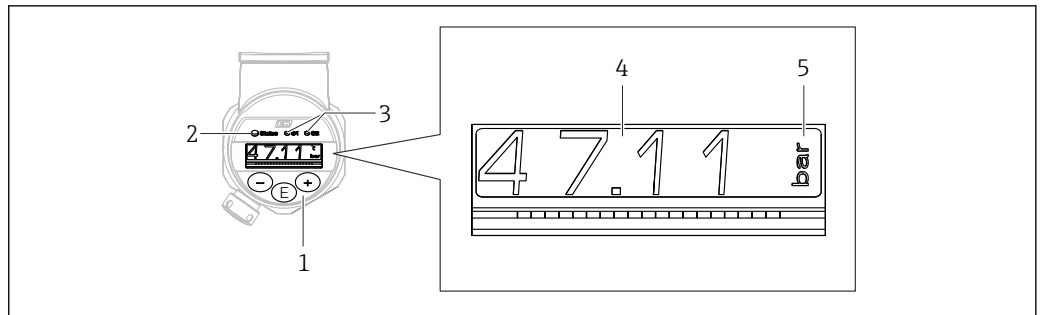
- Manufacturer
- Article number
- Product type

### Operation with local display

#### Overview

A 1-line liquid crystal display (LCD) is used for display and operation. The local display shows measured values, fault messages and information messages and therefore supports the user through each operating step.

During measuring operation, the display shows measured values, fault messages and notice messages. In addition, it is possible to switch to menu mode via the operating keys.



A0022121

- 1 Operating keys
- 2 Status LED
- 3 Switch output LEDs
- 4 Measured value
- 5 Unit

The second switch output is not used for the device version with current output.

Functions:

- 4-digit measured value display and decimal point
- Simple and complete menu guidance due to breakdown of parameters into several levels and groups
- Possibility to configure the display in accordance with individual wishes and requirements
- Comprehensive diagnostic functions (fault and warning message, peak-hold indicators, etc.)
- Quick and safe commissioning
- The device also signals the status via LEDs.


#### Information on the operational states

Operational states	Function of status-LED and onsite display
Operation	<ul style="list-style-type: none"> <li>■ Status LED is lit green</li> <li>■ LEDs of switch output 1 and switch output 2 signal the status of each switch output</li> <li>■ No activity of LED for switch output 2 if current output is active</li> <li>■ White background lighting</li> </ul>
Problem	<ul style="list-style-type: none"> <li>■ Status LED lit steady red</li> <li>■ Red display background</li> <li>■ LED of switch output 1 and switch output 2 off (switch output is deactivated)</li> </ul>
Warning	<ul style="list-style-type: none"> <li>■ Status LED flashing red</li> <li>■ White display background</li> <li>■ LEDs of switch output 1 and switch output 2 signal the status of each switch output</li> </ul>
For Device Search	<ul style="list-style-type: none"> <li>■ The green LED is lit (= operational) on the device and starts to flash with increased luminosity. Flash frequency </li> <li>■ LEDs of switch output 1 and switch output 2 signal the status of each switch output</li> <li>■ Display background depending on the device status</li> </ul>
IO-Link communication	<ul style="list-style-type: none"> <li>■ Status LED flashes green as per IO-Link specification (regardless of measuring operation, error or warning). Flash frequency </li> <li>■ Display background depending on the device status</li> <li>■ The state of switch output 1 is also indicated via the LED of switch output 1 at the same time as the process data are displayed</li> </ul>

#### Device Search (IO-Link)

The Device Search parameter is used to uniquely identify the device during installation.

## Certificates and approvals

<b>CE mark</b>	The device meets the legal requirements of the relevant EC directives. Endress+Hauser confirms that the device has been successfully tested by applying the CE mark.
<b>RoHS</b>	The measuring system complies with the substance restrictions of the Restriction on Hazardous Substances Directive 2011/65/EU (RoHS 2).
<b>RCM marking</b>	<p>The supplied product or measuring system meets the ACMA (Australian Communications and Media Authority) requirements for network integrity, interoperability, performance characteristics as well as health and safety regulations. Here, especially the regulatory arrangements for electromagnetic compatibility are met. The products bear the RCM marking on the nameplate.</p> <div data-bbox="408 622 1442 763" style="border: 1px solid black; text-align: center; padding: 10px;">  </div> <p style="text-align: right; font-size: small;">A0029561</p>
<b>Suitable for hygiene applications</b>	<p>For information on installation and approvals, see documentation SD02503F "Hygiene approvals".</p> <p>For information on 3-A and EHEDG-tested adapters, see documentation TI00426F "Weld-in adapter, process adapter and flanges".</p>
<b>Pressure Equipment Directive 2014/68/EU (PED)</b>	<p><b>Pressure equipment with permitted pressure <math>\leq 200</math> bar (2 900 psi)</b></p> <p>Pressure equipment (maximum allowable pressure PS <math>\leq 200</math> bar (2 900 psi)) can be classified as pressure accessories in accordance with the Pressure Equipment Directive 2014/68/EU. If the maximum allowable pressure is <math>\leq 200</math> bar (2 900 psi) and the pressurized volume of the pressure equipment is <math>\leq 0.1</math> l, the pressure equipment is subject to the Pressure Equipment Directive (see Pressure Equipment Directive 2014/68/EU, Article 4, point 3). The Pressure Equipment Directive only requires that the pressure equipment shall be designed and manufactured in accordance with the "sound engineering practice of a Member State".</p> <p><i>Reasons:</i></p> <ul style="list-style-type: none"> <li>■ Pressure Equipment Directive (PED) 2014/68/EU Article 4, point 3</li> <li>■ Pressure equipment directive 2014/68/EU, Commission's Working Group "Pressure", Guideline A-05 + A-06</li> </ul> <p><i>Note:</i></p> <p>A partial examination shall be performed for pressure instruments that are part of safety equipment for the protection of a pipe or vessel from exceeding allowable limits (safety accessory in accordance with Pressure Equipment Directive 2014/68/EU, Article 2, point 4).</p>
<b>Manufacturer declarations</b>	<p>Depending on the desired configuration, the following documents can be ordered additionally with the device:</p> <ul style="list-style-type: none"> <li>■ FDA conformity</li> <li>■ TSE-free: materials free from animal origin</li> <li>■ Regulation (EC) No. 2023/2006 (GMP)</li> <li>■ Regulation (EC) No. 1935/2004 on materials and articles intended to come into contact with food</li> </ul> <p><b>Downloading the Declaration of Conformity</b></p> <p><a href="http://www.endress.com">www.endress.com</a> → Download</p>
<b>Other standards and guidelines</b>	<p>The applicable European guidelines and standards can be found in the relevant EU Declarations of Conformity. The following were also applied:</p> <p><b>DIN EN 60770 (IEC 60770):</b></p> <p>Transmitters for use in industrial process control systems Part 1: Methods for performance evaluation</p>



Methods for evaluating the performance of transmitters for control and regulation in industrial process control systems.

**DIN 16086:**

Electrical pressure measuring instruments, pressure sensors, pressure transmitters, pressure measuring instruments, concepts, specifications on data sheets

Procedure for writing specifications in data sheets for electrical pressure measuring instruments, pressure sensors and pressure transmitters.

**EN 61326-X:**

EMC product family standard for electrical equipment for measurement, control and laboratory use.

**EN 60529:**

Degrees of protection provided by enclosures (IP code)

**NAMUR - User association of automation technology in process industries.**

NE21 - Electromagnetic Compatibility (EMC) of Industrial Process and Laboratory Control Equipment.

NE43 - Standardization of the Signal Level for the Failure Information of Digital Transmitters.

NE44 - Standardization of Status Indicators on PCT Instruments with the Help of Light Emitting Diodes

NE53 - Software of Field Devices and Signal-processing Devices with Digital Electronics

NE107 - Self-monitoring and Diagnosis of Field Devices

**VDMA 24574-1:2008-04**

Fluid technology terms, menu navigation and electrical connection for fluid sensors, Part 1: Pressure switches

**CRN approval**

A CRN approval is available for some device versions. A CRN-approved process connection with a CSA approval must be ordered for a CRN-approved device. The CRN-approved devices are assigned the registration number OF18141.5C.

Ordering information: Product Configurator, order code for "Process connection" (the CRN process connections are indicated in the "Mechanical construction" section.)

**Calibration unit**

Designation	Option <sup>1)</sup>
Sensor range; %	A
Sensor range; mbar/bar	B
Sensor range; kPa/MPa	C
Sensor range; psi	F
Switch 1; see additional spec.	S
Switch 1 + 2; see additional spec.	T
Switch, analog output; see additional spec.	U

1) Product Configurator, order code for "Calibration; unit"

**Calibration**

Designation	Option <sup>1)</sup>
3-point certificate of calibration <sup>2)</sup>	F3

1) Product Configurator, order code for "Calibration"

2) No final test report for PNP outputs.

**Inspection certificates**

Device	Designation	Option <sup>1)</sup>
PTP33B	3.1 Material documentation, wetted metal parts, EN10204-3.1 inspection certificate	JA
PTP33B	Surface finish measurement ISO4287/Ra, wetted metal parts, inspection certificate	KB

1) Product Configurator, order code for "Test, certificate"



Documentation currently available on the Endress+Hauser website: [www.endress.com](http://www.endress.com) → Downloads or with the serial number of the device under Online Tools in the Device Viewer.

**Service***Printed product documentation*

A printed (hard copy) version of test reports, declarations and inspection certificates can optionally be ordered via order code 570 "Service", option I7 "Printed product documentation". The documents are then provided with the device upon delivery.

**Additional approval**

Device	Designation	Option <sup>1)</sup>
PTP33B	EHEDG, declaration	LD
PTP33B	3A, declaration	LB
PTP33B	Declaration of Conformity EC1935/2004, wetted parts	L3

1) Product Configurator, order code for "Additional approval"

**Ordering information**

Detailed ordering information is available from the following sources:

- In the Product Configurator on the Endress+Hauser website: [www.endress.com](http://www.endress.com) -> Click "Corporate" -> Select your country -> Click "Products" -> Select the product using the filters and search field -> Open product page -> The "Configure" button to the right of the product image opens the Product Configurator.
- From your Endress+Hauser Sales Center: [www.addresses.endress.com](http://www.addresses.endress.com)

**Product Configurator - the tool for individual product configuration**

- Up-to-the-minute configuration data
  - Depending on the device: Direct input of measuring point-specific information such as measuring range or operating language
  - Automatic verification of exclusion criteria
  - Automatic creation of the order code and its breakdown in PDF or Excel output format
  - Ability to order directly in the Endress+Hauser Online Shop

**Scope of delivery**

- Measuring device
- Optional accessories
- Brief Operating Instructions
- Certificates

## Accessories

### Weld-in adapter

Various weld-in adapters are available for installation in vessels or pipes.

Device	Description	Option <sup>1)</sup>	Order number
PTP33B	Weld-in adapter M24, d=65, 316L	PM	71041381
PTP33B	Weld-in adapter M24, d=65, 316L 3.1 EN10204-3.1 material, inspection certificate	PN	71041383
PTP33B	Weld-in adapter G1, 316L, conical metal joint	QE	52005087
PTP33B	Weld-in adapter G1, 316L, 3.1, conical metal joint, EN10204-3.1 material, inspection certificate	QF	52010171
PTP33B	Weld-in tool adapter G1, brass	QG	52005272
PTP33B	Weld-in adapter G1, 316L, silicone O-ring seal	QJ	52001051
PTP33B	Weld-in adapter G1, 316L, 3.1, silicone O-ring seal, EN10204-3.1 material, inspection certificate	QK	52011896

1) Product Configurator, order code for "Accessory enclosed"

If installed horizontally and weld-in adapters with a leakage hole are used, ensure that the leakage hole is pointing down. This allows leaks to be detected as quickly as possible.

### Process adapter M24

The following process adapters can be ordered for the process connections with order option X2J and X3J:

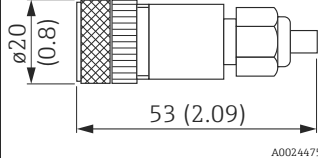
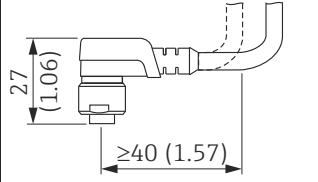
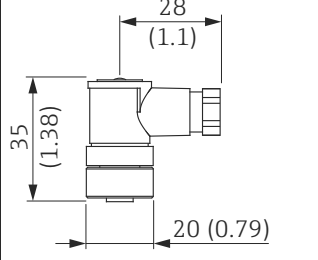
Device	Description	Order number	Order number with inspection certificate 3.1 EN10204
PTP33B	Varivent F DN32 PN40	52023996	52024003
PTP33B	Varivent N DN50 PN40	52023997	52024004
PTP33B	DIN11851 DN40	52023999	52024006
PTP33B	DIN11851 DN50	52023998	52024005
PTP33B	SMS 1½"	52026997	52026999
PTP33B	Clamp 1½"	52023994	52024001
PTP33B	Clamp 2"	52023995	52024002
PTP33B	APV Inline	52024000	52024007

### Flush mount pipe connections M24

Device	Description	Option <sup>1)</sup>
PTP33B	Pipe connection DN25 DIN11866, weld-in, flush mount, for devices with M24 connection	QS
PTP33B	Pipe connection DN25 DIN11866, Clamp DIN32676, flush mount, for devices with M24 connection	QT
PTP33B	Pipe connection DN32 DIN11866, weld-in, flush mount, for devices with M24 connection	QU
PTP33B	Pipe connection DN32 DIN11866, Clamp DIN32676, flush mount, for devices with M24 connection	QV
PTP33B	Pipe connection DN40 DIN11866, weld-in, flush mount, for devices with M24 connection	QW
PTP33B	Pipe connection DN40 DIN11866, Clamp DIN32676, flush mount, for devices with M24 connection	QX
PTP33B	Pipe connection DN50 DIN11866, weld-in, flush mount, for devices with M24 connection	QY
PTP33B	Pipe connection DN50 DIN11866, Clamp DIN32676, flush mount, for devices with M24 connection	QZ

1) Product Configurator, order code for "Accessory enclosed"

M12 plug-in jack

Plug	Degree of protection	Material	Option <sup>1)</sup>	Order number
<p>M12 (self-terminated connection at M12 plug)</p>  <p style="text-align: right; font-size: small;">A0024475</p>	IP67	<ul style="list-style-type: none"> <li>■ Union nut: Cu Sn/Ni</li> <li>■ Body: PBT</li> <li>■ Seal: NBR</li> </ul>	R1	52006263
<p>M12 90 degrees with 5m (16 ft) cable</p>  <p style="text-align: right; font-size: small;">A0024476</p>	IP67	<ul style="list-style-type: none"> <li>■ Union nut: GD Zn/Ni</li> <li>■ Body: PUR</li> <li>■ Cable: PVC</li> </ul> <p>Cable colors</p> <ul style="list-style-type: none"> <li>■ 1 = BN = brown</li> <li>■ 2 = WT = white</li> <li>■ 3 = BU = blue</li> <li>■ 4 = BK = black</li> </ul>	RZ	52010285
<p>M12 90 degrees (self-terminated connection at M12 plug)</p>  <p style="text-align: right; font-size: small;">A0024478</p>	IP67	<ul style="list-style-type: none"> <li>■ Union nut: GD Zn/Ni</li> <li>■ Body: PBT</li> <li>■ Seal: NBR</li> </ul>	RM	71114212

1) Product Configurator, order code for "Accessory enclosed"

## Documentation

---

### Field of activities

Pressure measurement, powerful instruments for process pressure, differential pressure, level and flow:

FA00004P

---

### Technical Information

- TI00241F: EMC Test Procedures
- TI00426F: Weld-in adapters, process adapters and flanges (overview)

## Registered trademarks

 **IO-Link**

is a registered trademark of the IO-Link company group.



---



71621498

[www.addresses.endress.com](http://www.addresses.endress.com)

---